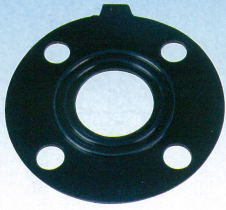
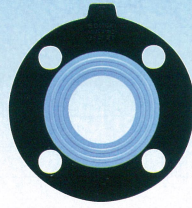


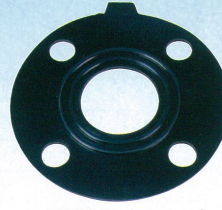
# AV GASKET



Full face Type Rubber Gasket



PTFE coated



PVDF coated

● MATERIAL : EPDM, PTFE, PVDF, CSM, FKM, IIR, Viton F, C

## FEATURES

- AV GASKETS offer Similar sealing performance with 1/3 bolt tightening torque, compared to flat or envelope style gaskets.
- Uniform dimension, fine surface, suitable hardness.
- Long service life.
- Unique Convex Design.

## SPECIFICATIONS

Material	Working Temperature	SIZE AVAILABILITY BY STANDARD		
		JIS	ANSI	DIN
EPDM	-40°C - 90°C (-40°F - 195°F)	15mm - 350mm	1/2inch - 14inch	15mm - 350mm
PTFE	-40°C - 120°C (-40°F - 250°F)	15mm - 300mm	1/2inch - 12inch	15mm - 400mm
PVDF	-40°C - 120°C (-40°F - 250°F)	15mm - 300mm	1/2inch - 10inch *1	15mm - 300mm
VIFLON	-5°C - 150°C (-5°F - 280°F)	15mm - 200mm	-	-

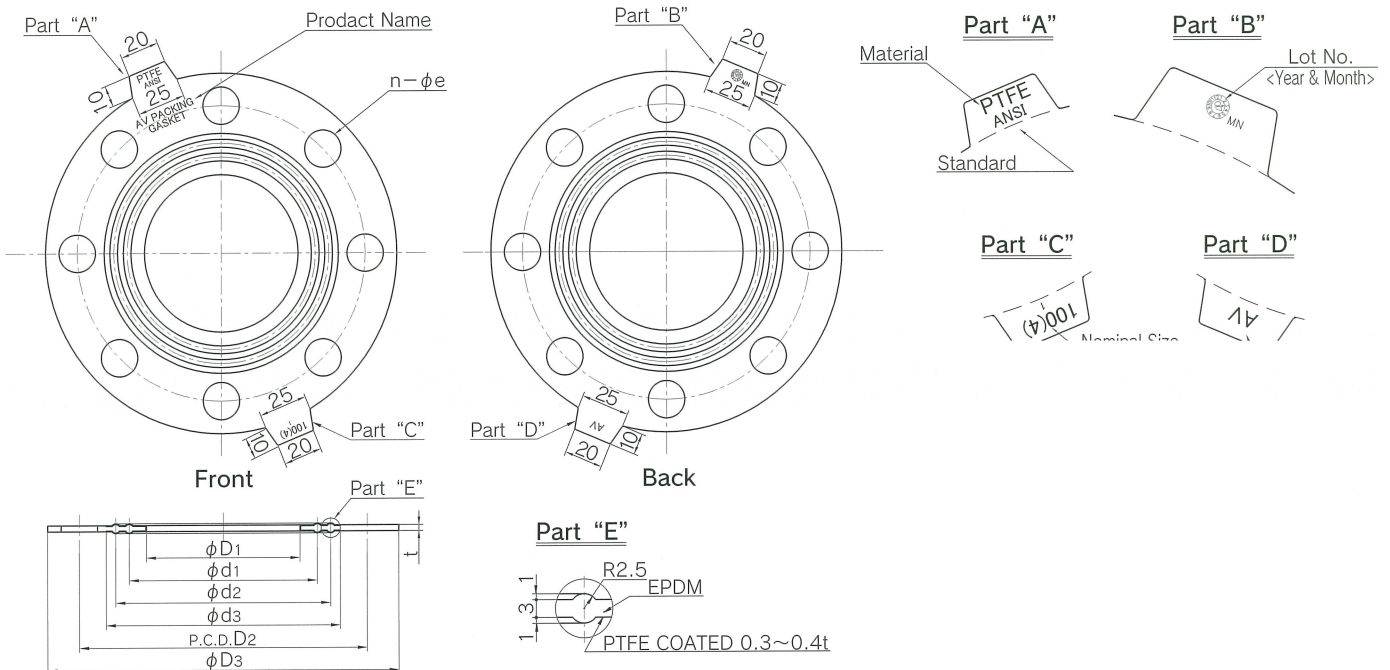
Working temperature is different depending on type of fluid.

\* 1 Except for 1 1/4inch and 2 1/2inch

Voflon-F has superior resistance to inorganic acids such as HNO<sub>3</sub>, HF and HCl.

Voflon-C has superior resistance to chlorine containing media such as Chlorine Water, NaCl and ClO<sub>2</sub>.

## DIMENSIONS



Type	Nominal Size	Thickness
PTFE	15mm(1/2inch) to 400mm(16inch)	0.3-0.4mm(0.012-0.016inch)
PVDF	15mm(1/2inch) to 65mm(2 1/2inch) 80mm(3inch) to 300mm(12inch)	0.4-0.5mm(0.016-0.020inch)



**DIMENSIONS TABLE**

Full-Face Type (JIS 10K)								Unit:mm	
Nominal Size	mm	inch	D <sub>1</sub>	D <sub>2</sub>	D <sub>3</sub>	n	e	d <sub>1</sub>	d <sub>2</sub>
15	1/2	18	70	93	4	15	26	41	
20	3/4	22	75	98	4	15	32	47	
25	1	30	90	123	4	19	38	53	
32	1 1/4	37	100	133	4	19	50	65	
40	1 1/2	43	105	138	4	19	54	69	
50	2	54	120	153	4	19	68	83	
65	2 1/2	69	140	173	4	19	86	101	
80(75)	3	80	150	183	8	19	98	112	
100	4	102	175	208	8	19	120	138	
125	5	127	210	248	8	23	145	166	
150	6	150	240	278	8	23	168	190	
200	8	198	290	328	12	23	216	247	
250	10	249	355	398	12	25	270	306	
300	12	300	400	443	16	25	324	352	
350	14	350	445	488	16	25	370	390	

Full-Face Type (DIN 2501)								Unit:mm	
Nominal Size	mm	inch	D <sub>1</sub>	D <sub>2</sub>	D <sub>3</sub>	n	e	d <sub>1</sub>	d <sub>2</sub>
20	3/4	22	75	103	4	14	32	47	
25	1	30	85	113	4	14	38	53	
32	1 1/4	37	100	138	8	18	50	65	
40	1 1/2	43	110	148	4	18	54	69	
50	2	54	125	163	4	18	68	83	
65	2 1/2	69	145	183	4	18	86	101	
80(75)	3	80	160	198	8	18	98	112	
100	4	102	180	218	8	18	120	138	
125	5	127	210	248	8	18	145	166	
150	6	150	240	283	8	23	168	190	
200	8	198	295	338	8	23	216	247	
250	10	249	350	393	12	23	270	306	
300	12	300	400	443	12	23	324	352	
350	14	350	460	503	16	25	370	390	
400	16	407	515	563	16	26	442	472	

Full-Face Type (ANSI CLASS150)								Unit:inch	
Nominal Size	inch	mm	D <sub>1</sub>	D <sub>2</sub>	D <sub>3</sub>	n	e	d <sub>1</sub>	d <sub>2</sub>
3/4	20	0.9	2.8	3.8	4	0.6	1.3	1.9	
1	25	1.2	3.1	4.2	4	0.6	1.5	2.1	
1 1/4	32	1.5	3.5	4.5	4	0.6	2.0	2.6	
1 1/2	40	1.7	3.9	4.9	4	0.6	2.1	2.7	
2	50	2.1	4.7	5.9	4	0.8	2.7	3.3	
2 1/2	65	2.7	5.5	6.9	4	0.8	3.4	4.0	
3	80(75)	3.2	6.0	7.4	4	0.8	3.9	4.4	
4	100	4.0	7.5	8.9	8	0.8	4.7	5.4	
5	125	5.0	8.5	9.9	8	0.9	5.7	6.5	
6	150	5.9	9.5	10.9	8	0.9	6.6	7.5	
8	200	7.8	11.8	13.4	8	0.9	8.5	9.7	
10	250	9.8	14.3	15.9	12	1.0	10.6	12.1	
12	300	11.8	17.0	18.9	12	1.0	12.8	13.9	
14	350	13.9	18.7	20.9	12	1.14	14.6	15.4	
16	400	15.6	21.2	23.4	16	1.14	17.3	18.5	

\* 1 14inch, 16inch:FLAT FULL FACE

**RECOMMENDED TIGHTENING TORQUE <ALL MATERIALS / FULL FACE TYPE>**

mm(inch)	N·m	FT-LB	mm(inch)	N·m	FT-LB	mm(inch)	N·m	FT-LB
15 (1/2)	17.5	13	65 (2 1/2)	22.5	16	200 (8)	55	40
20 (3/4)	17.5	13	80 (3)	30	22	250(10)	55	40
25 (1)	20	14	100(4)	30	22	300(12)	60	43
40 (1 1/2)	20	14	125(5)	40	29	350(14)	60	43
50 (2)	22.5	16	150(6)	45	32	400(16)	80	58