

Butterfly Valve Type 55 (Pneumatic Actuated Type TA) 50mm·80mm - 250mm(2·3inch - 10inch)

Body Material

FCD-S

Seat & O-ring Material

PTFE
(Cushion:CR)

Connection Standard

JIS 10K
ANSI CLASS150
DIN PN10

Action

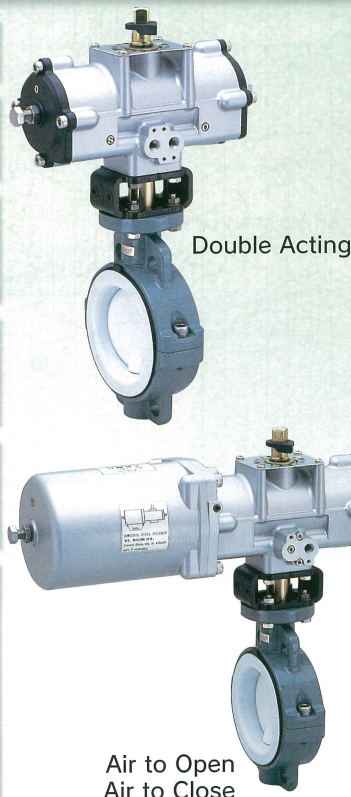
Double Acting
Air to Open
Air to Close

Equipment

- Opening Adjustment Stopper (± 5 degree)
- Indicator

Option

- Filter Regulator
- Solenoid Valve
- ※ with built-in specialized speed controller and bypass valve.
- Limit Switch
- Speed Controller
- Manual Operation Mechanism
- ※ Only for air to open & close.
- Full Opening Adjustment Mechanism
- Positioner



FEATURES

- Horizontal Type Actuator saves Piping Space.
- Spring unit for Air to Open & Shut is detachable so that Change-over between Double-Acting and Air to Open & Shut can be done easily.
- Various Options can be easily installed or removed and can be mounted later(except Positioners).
- Stopper enables Adjustment of angle of ±5 degree at fully-Opened or Fully-Closed position.

OPTIONAL EQUIPMENT

Combination No.	1	2	3	4	5	6	7	8	9
Solenoid Valve ※	○	—	—	○	○	—	○	—	—
Filter Regulator	—	—	—	○	—	—	○	—	○
Speed Controller	◎	○	—	◎	◎	○	◎	—	—
Limit Switch	—	—	○	—	○	○	○	—	—
Positioner (Electric-Air, Air-Air)	—	—	—	—	—	—	—	○	○

◎Indicates specialized for Solenoid Valve.

※With built-in speed controller and bypass valve.

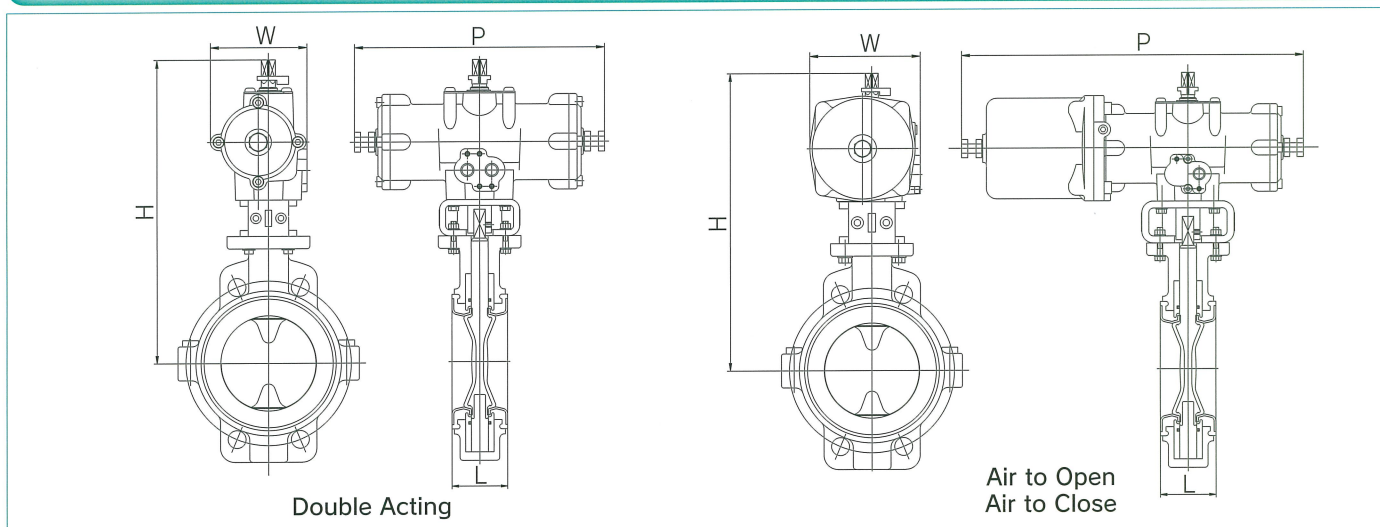
ACTUATOR SPECIFICATION [Double Acting]

Nominal Size mm(inch)	50(2inch)	80(3inch)	100-125(4inch-5inch)	150(6inch)	200(8inch)	250(10inch)
Actuator Type	TA2A-050D	TA2A-063D	TA2A-080D	TA2A-100D	TA2A-125D	TA2A-160D
Operating Pressure Mpa[kgf/cm ²]	0.4{4.1} - 0.7{7.1}					
Air Consumption NI /open & close (at operating pressure 0.4NPa)	0.9	1.7	3.2	6.6	13.3	27.1
Air Supply Bore	Rc 1/4					

ACTUATOR SPECIFICATION [Air to Open, Air to Close]

Nominal Size mm(inch)	50(2inch)	80(3inch)	100-125(4inch-5inch)	150(6inch)	200(8inch)	250(10inch)
Actuator Type	TA2A-050R	TA2A-063R	TA2A-080R	TA2A-100R	TA2A-125R	TA2A-160R
Operating Pressure Mpa[kgf/cm ²]	0.4{4.1} - 0.7{7.1}					
Air Consumption NI /open & close (at operating pressure 0.4NPa)	1.7	3.3	6.1	12.8	21.6	42.7
Air Supply Bore	Rc 1/4					

DIMENSIONS FIGURE



DIMENSIONS TABLE

JIS, ANSI, DIN		Unit:mm(inch)						
Nominal Size		50	80	100	125	150	200	250
Common	L	44 (1.73)	54 (2.13)	59 (2.32)	64 (2.52)	75 (2.95)	85 (3.35)	96 (3.78)
	H	268 (10.55)	302 (11.89)	346 (13.62)	375 (14.76)	428 (16.85)	502 (19.76)	583 (22.95)
Double acting	W	82 (3.23)	95 (3.74)	116 (4.57)	116 (4.57)	142.5 (5.61)	150 (5.90)	181 (7.13)
	P	210 (8.27)	250 (9.84)	292 (11.50)	292 (11.50)	362 (14.25)	440 (17.32)	532 (20.94)
Air to open, Air to close	W	103 (4.06)	118.5 (4.67)	141.5 (5.57)	141.5 (5.57)	174 (6.86)	192.5 (7.58)	231 (9.10)
	P	345 (13.58)	413 (16.26)	487 (19.17)	487 (19.17)	598 (23.54)	762 (30.00)	924 (36.38)

WORKING PRESSURE VS. TEMPERATURE

