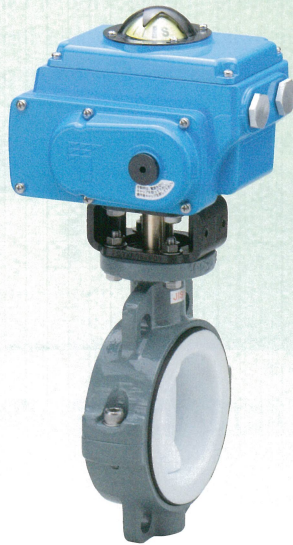


Butterfly Valve Type 55 (Electric Actuated Type T) 50mm - 250mm(2inch - 10inch)

- Body Material**
FCD-S
- Seat & O-ring Material**
PTFE
(Cushion:CR)
- Connection Standard**
JIS 10K
ANSI CLASS150
DIN PN10
- Power Source**
Single-Phase
AC100V/110V/200V/220V
- Equipment**
Space Heater
Output Contact Limit Switches
Manual Operation Mechanism
Indicator
- Option**
E-E Positioner
Intermediate Limit Switch(no-volt)
Speedcontrol Unit



FEATURES

- Lightweight and Compact with High-Torque
- Manual Operation Handle is equipped normally and operativeness has improved.
- Indicator that can be seen easily.

OPTIONAL EQUIPMENT

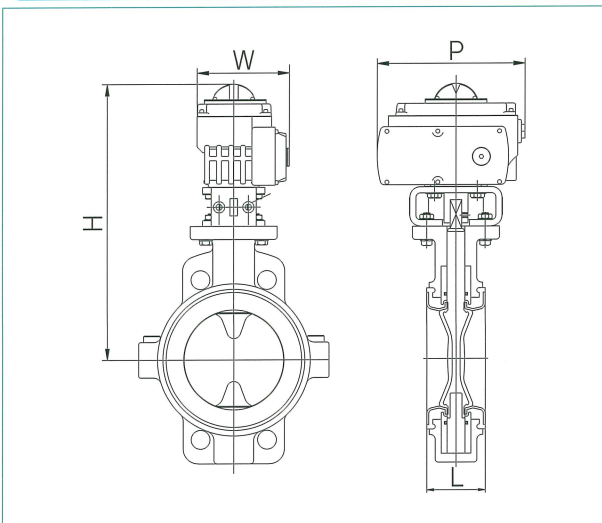
Combination No.	1	2	3	4	5	6	7
Space Heater	●	●	○	●	○	●	○
Output Contact Limit Swiches	●	●	●	—	●	—	●
Potentiometer	—	○	—	—	—	○	○
E-E Positioner	—	—	○	—	—	—	—
Intermediate Limit Swirch (no-volt)	—	—	—	○	—	○	—
Speedcontrol Unit	—	—	—	—	○	—	○

● Standard Equipment

ACTUATOR SPECIFICATION

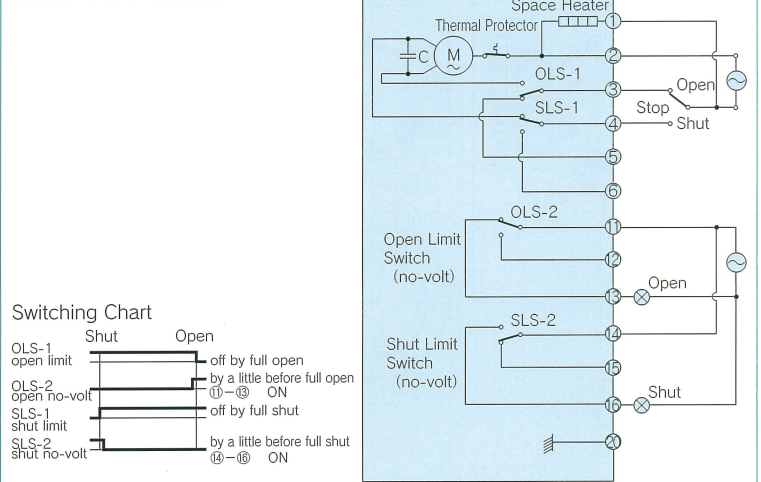
Nominal Size mm(inch)	50-100(2inch-4inch)	125(5inch)	150(6inch)	200(8inch)	250-350(10inch-14inch)
Actuator Type	AOC-0	AOC-1	AOC-2	AOC-2.5	AOC-3
Cycle Time 50/60Hz(seconds)	25/20		37/30		55/50
Motor Output(W)	8	20	30		90
Motor Starting Current(A) 50/60Hz	100V	1.20/1.20	1.60/1.40	2.40/2.40	5.1/4.8
	110V	1.40/1.40	1.70/1.70	2.50/2.50	6.1/6.6
	200V	0.50/0.50	0.70/0.70	1.10/1.10	2.6/2.4
Motor Rated Current(A) 50/60Hz	220V	0.70/0.70	0.80/0.90	1.20/1.20	3.1/3.0
	100V	0.50/0.50	0.70/0.60	0.90/1.20	1.60/1.70
	110V	0.60/0.60	0.90/0.70	1.00/1.20	1.70/1.80
200V	0.25/0.25	0.40/0.30	0.50/0.80	0.80/1.00	
220V	0.30/0.30	0.50/0.40	0.60/0.80	0.90/1.00	
Number of revolutions of Manual Operating Handle	6.7	16.5			
Limit Switch Capacity	AC 250V 10A				
Protective Structure	JIS C 0920 Waterjet-proof type (IEC IP65)				
Cable Connector Nominal Size	G1/2				
Motor Pole(P)	4				
Motor Insulation	E Class				
Motor Time Rating(minute)	30				
Space Heater Output(W)	5				

DIMENSIONS FIGURE



SCHEMATIC DIAGRAM

WIRING DIAGRAM



DIMENSIONS TABLE

JIS, ANSI, DIN	Unit:mm(inch)						
Nominal Size	50 (2)	80 (3)	100 (4)	125 (5)	150 (6)	200 (8)	250 (10)
L	44 (1.74)	54 (2.13)	59 (2.33)	64 (2.52)	75 (2.96)	85 (3.35)	96 (3.78)
H	295 (11.7)	314 (12.4)	330 (13.0)	374 (14.8)	424 (16.7)	445 (17.5)	540 (21.3)
W	138.8 (5.47)	138.8 (5.47)	138.8 (5.47)	191 (7.52)	239 (9.41)	239 (9.41)	381.5 (15.02)
P	202 (7.95)	202 (7.95)	202 (7.95)	252 (9.92)	310 (12.20)	310 (12.20)	388 (15.28)

WORKING PRESSURE VS. TEMPERATURE

