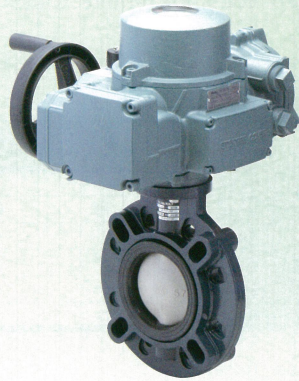


# Butterfly Valve Type 57 (Electric Actuated Type S) 40mm-350mm (1 1/2 inch-14 inch)

- Body Material**  
PVC  
PP  
PVDF
- Seat & O-ring Material**  
EPDM  
FKM
- Connection Standard**  
JIS 10K · JIS 5K  
ANSI CLASS150  
DIN PN10
- Power Source**  
Three-phase  
AC200V/220V/400V/440V
- Equipment**  
Manual Operation Mechanism (Handle is sold separately.)  
Torque Switches  
Output Contact-Limit Switches  
Space Heater  
Indicator
- Option**  
Potentiometer  
R/I Transmitter  
E-E Positioner



## FEATURES

- Speedy, exact operation by motor with direct current brake.
- Standard torque switch protects valves from overload.
- Stopper enables adjustment of an angle of ±5 degree when fully-opened or fully-closed.

## OPTIONAL EQUIPMENT

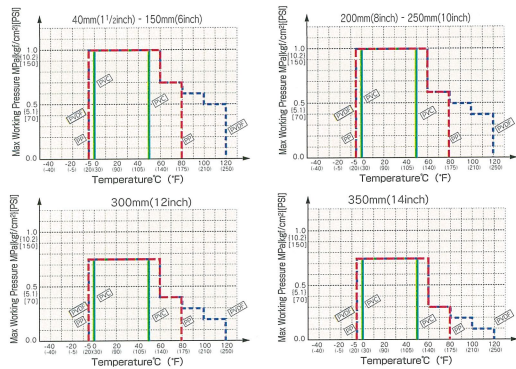
Combination No.	1	2	3
Space Heater	●	●	●
Output Contact Limit Switches	●	●	●
Potentiometer	○	○	○
R-I Transmitter	—	○	○
E-E Positioner	—	—	○

● Standard Equipment

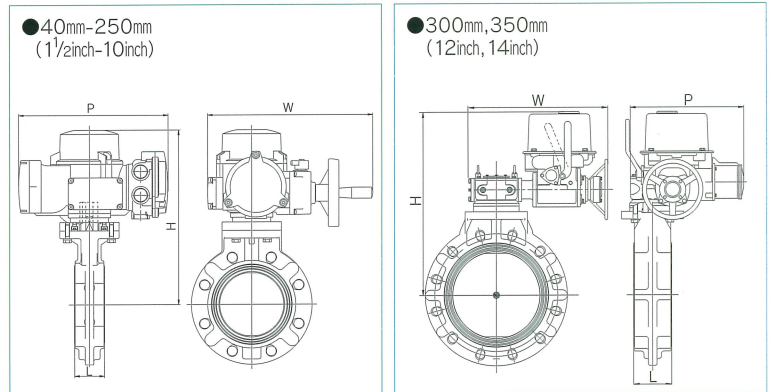
## ACTUATOR SPECIFICATION

Nominal Size mm (inch)	40-100 (1 1/2 inch-4 inch)	125-150 (5 inch, 6 inch)	200-250 (8 inch, 10 inch)	300-350 (12 inch, 14 inch)
Actuator Type	SRJ-010	SRJ-020	SRJ-060	LTRM-01/BRL-1
Cycle Time 50/60Hz (seconds)	18/15	36/30	36/30	42/36
Motor Output (W)	40	40	100	200
Motor Starting	200V	0.58/0.57	0.58/0.57	1.20/1.10
	220V	0.64/0.61	0.64/0.61	1.20/1.10
	400V	0.30/0.26	0.30/0.26	0.47/0.44
	440V	0.33/0.29	0.33/0.29	0.51/0.48
Motor Rated	200V	0.42/0.35	0.42/0.35	0.70/0.55
	220V	0.50/0.39	0.50/0.39	0.90/0.63
	400V	0.19/0.15	0.19/0.15	0.35/0.27
	440V	0.23/0.18	0.23/0.18	0.45/0.32
Number of revolutions of manual operating handle	21	21	26	15
Limit Switch Capacity	AC 250V 2A			AC 250V 5A
Protective Structure	IP68			IP55
Cable Connector Nominal Size	3-G1			2-G1
Motor Pole (P)	4			4
Motor Insulation	B Class			E Class
Motor Time Rating (minute)	15			15

## WORKING PRESSURE VS. TEMPERATURE



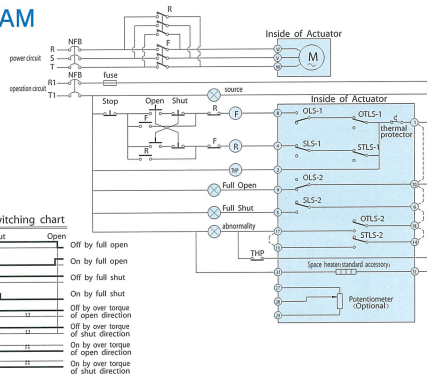
## DIMENSIONS FIGURE



## SCHEMATIC DIAGRAM

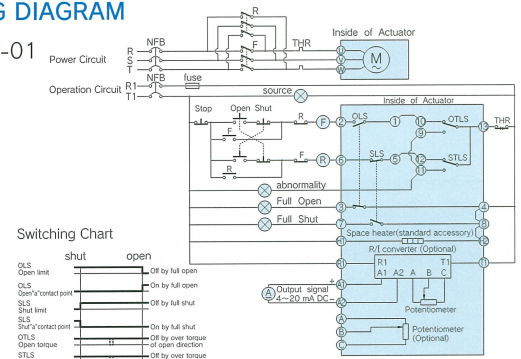
### WIRING DIAGRAM

● SRJ



### WIRING DIAGRAM

● LTRM-01



## DIMENSIONS TABLE

JIS, ANSI, DIN

Unit: mm (inch)

Nominal Size	40 (1 1/2)	50 (2)	65 (2 1/2)	80 (3)	100 (4)	125 (5)	150 (6)	200 (8)	250 (10)	300 (12)	350 (14)
L	39 (1.54)	42 (1.65)	46 (1.81)	46 (1.81)	56 (2.21)	66 (2.60)	71 (2.80)	87 (3.43)	112 (4.41)	129 (5.08)	129 (5.08)
H	313 (12.32)	323 (12.72)	333 (13.11)	348 (13.70)	363 (14.29)	398 (15.67)	413 (16.26)	441 (17.36)	476 (18.74)	666 (26.22)	693 (27.29)
W	99 (3.90)	390 (15.36)	390 (15.36)	390 (15.36)	390 (15.36)	390 (15.36)	390 (15.36)	460 (18.11)	460 (18.11)	516 (20.32)	516 (20.32)
P	100 (3.94)	353 (13.90)	353 (13.90)	353 (13.90)	353 (13.90)	353 (13.90)	353 (13.90)	393 (15.47)	393 (15.47)	430 (16.93)	430 (16.93)