

Butterfly Valve Type 57 (Electric Actuated Type T) 40mm-350mm (1 1/2 inch-14 inch)

Body Material

PVC
PP
PVDF

Seat & O-ring Material

EPDM
FKM

Connection Standard

JIS 10K · JIS 5K
ANSI CLASS150
DIN PN10

Power Source

Single-phase
AC100V/110V/200V/220V

Equipment

Space Heater
Output Contact Limit Switches
Indicator
Manual Operation Mechanism

Option

E-E Positioner
Intermediate Limit Switch (no-volt)
Speedcontrol Unit



FEATURES

- Lightweight and Compact with High-Torque
- Manual Operation Handle is equipped normally and operativeness has improved.
- Indicator can be seen easily.

OPTIONAL EQUIPMENT

Combination No.	1	2	3	4	5	6	7
Space Heater	●	●	○	●	○	●	○
Output Contact Limit Switches	●	●	●	-	●	-	●
Potentiometer	-	○	-	-	-	○	○
E-E Positioner	-	-	○	-	-	-	-
Intermediate Limit Switch (no-volt)	-	-	-	○	-	○	-
Speedcontrol Unit	-	-	-	-	○	-	○

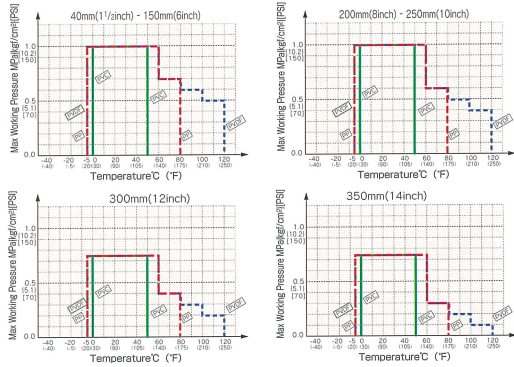
● Standard Equipment

ACTUATOR SPECIFICATION

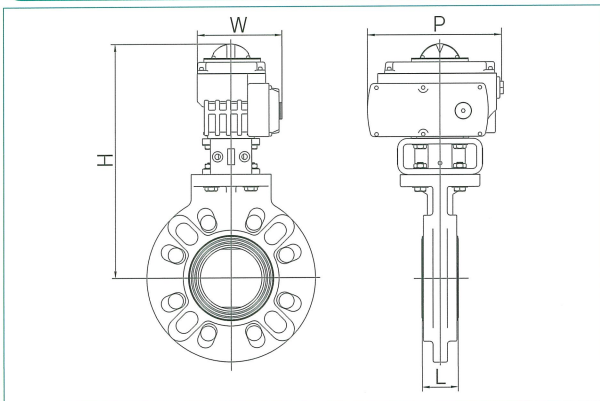
Nominal Size mm(inch)	40-100(1 1/2 inch-4 inch)	125(5 inch)	150(6 inch)	200(8 inch)	250-350(10 inch-14 inch)
Actuator Type	AOC-0	AOC-1	AOC-2	AOC-2.5	AOC-3
Cycle Time 50/60Hz(seconds)	25/20		37/30		55/50
Motor Output(W)	8	20	30		90
Motor Starting Current(A) 50/60Hz	100V	1.20/1.20	1.60/1.40	2.40/2.40	
	110V	1.40/1.40	1.70/1.70	2.50/2.50	
	200V	0.50/0.50	0.70/0.70	1.10/1.10	
Motor Rated Current(A) 50/60Hz	100V	0.50/0.50	0.70/0.60	0.90/1.20	
	110V	0.60/0.60	0.90/0.70	1.00/1.20	
	200V	0.25/0.25	0.40/0.30	0.50/0.80	
Space Heater Output(W)	220V	0.30/0.30	0.50/0.40	0.60/0.80	
Number of revolutions of Manual Operating Handle	6.7	16.5			
Limit Switch Capacity	AC 250V 10A				
Protective Structure	JIS C 0920 Waterjet-proof type (IEC IP65)				
Cable Connector Nominal Size	2-G1/2				
Motor Pole(P)	4				
Motor Insulation	E Class				
Motor Time Rating(minute)	30				
Space Heater Output(W)	5				

* for the actuator with lubricant free valves consult near Asahi dealer.

WORKING PRESSURE VS. TEMPERATURE

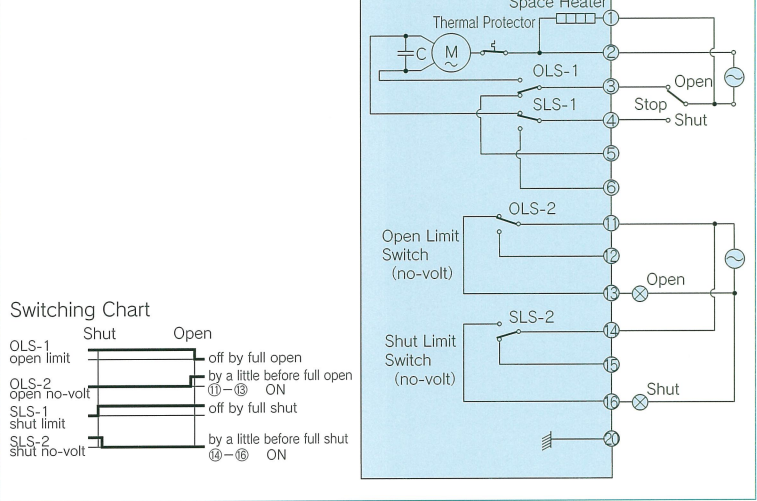


DIMENSIONS FIGURE



SCHEMATIC DIAGRAM

WIRING DIAGRAM



DIMENSIONS TABLE

JIS, ANSI, DIN	Unit:mm(inch)										
Nominal Size	40 (1 1/2)	50 (2)	65 (2 1/2)	80 (3)	100 (4)	125 (5)	150 (6)	200 (8)	250 (10)	300 (12)	350 (14)
L	39 (1.54)	42 (1.65)	46 (1.81)	46 (1.81)	56 (2.20)	66 (2.60)	71 (2.80)	87 (3.43)	112 (4.40)	129 (5.08)	129 (5.08)
H	290 (11.42)	300 (11.81)	310 (12.20)	325 (12.80)	340 (13.39)	376 (14.80)	424 (16.69)	455 (17.91)	541 (21.28)	598 (23.54)	625 (24.61)
W	138.8 (5.47)	138.8 (5.47)	138.8 (5.47)	138.8 (5.47)	138.8 (5.47)	191 (7.52)	239 (9.41)	239 (9.41)	381.5 (15.02)	381.5 (15.02)	381.5 (15.02)
P	202 (7.95)	202 (7.95)	202 (7.95)	202 (7.95)	202 (7.95)	252 (9.92)	310 (12.20)	310 (12.20)	388 (15.28)	388 (15.28)	388 (15.28)