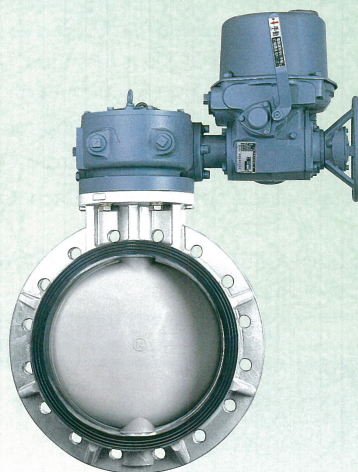


Butterfly Valve Type 75 (Electric Actuated Type S) 450mm - 600mm(18inch - 24inch)

- Body Material**
PP
PVDF
- Seat & O-ring Material**
EPDM
FKM
- Connection Standard**
JIS 10K
ANSI CLASS150
DIN PN10
- Power Source**
Three-Phase
AC200V/220V/400V/440V
- Equipment**
Manual Operation Mechanism (with handle)
Torque Switches
Space Heater
Indicator
- Option**
Output Contact Limit Switches
Potentiometer
R/I Transmitter
E-E Positioner
※ Actuator type is to be changed



FEATURES

- Standard Torque Switch protects Valves from Overload.
- Automatic return does not require Clutch Operation after Manual Operation.
- Stopper enables Adjustment of Angle of ± 5 degree at fully-Opened or Fully-Closed position.

OPTIONAL EQUIPMENT

Combination No.	1	2	3	4
Space Heater	●	●	●	●
Output Contact Limit Switches	○	—	—	—
Potentiometer	—	○	○	○
R-I Transmitter	—	—	○	○
E-E Positioner	—	—	—	○

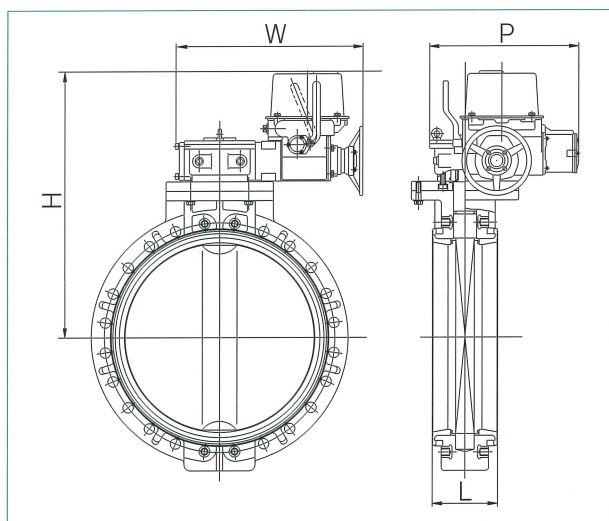
● Standard Equipment
※ Actuator Type is to be changed.

ACTUATOR SPECIFICATION [Double acting]

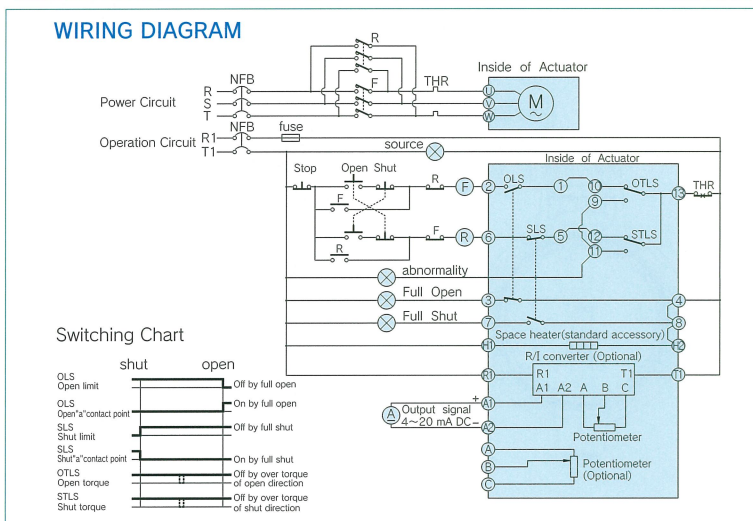
Nominal Size mm(inch)	450 - 600 (18inch - 24inch)	
Actuator Type	LTRM-01/BRL-3	
Cycle Time 50/60Hz(seconds)	43/36	
Motor Output(W)	400	
Motor Starting Current(A) 50/60Hz	200V	8.8/8.3
	220V	8.0/9.1
	400V	4.4/4.1
	440V	4.0/4.5
Motor Rated Current(A) 50/60Hz	200V	3.0/2.4
	220V	2.7/2.5
	400V	1.5/1.2
	440V	1.4/1.3
Number of revolutions of manual operating handle	15	
Limit Switch Capacity	AC 250V 5A	
Protective Structure	IP55	
Cable Connector Nominal Size	2-G1	
Motor Pole(P)	4	
Motor Insulation	E Class	
Motor Time Rating(minute)	15min.	

※ In the case of actuator with electric positioner, the model number is changed to LTMD-01Z/BRL-3

DIMENSIONS FIGURE



SCHEMATIC DIAGRAM



DIMENSIONS TABLE

JIS, ANSI, DIN	Unit:mm(inch)		
Nominal Size	450 (18)	500 (20)	600 (24)
L	179 (7.05)	190 (7.48)	209 (8.23)
H	750 (29.53)	780 (30.71)	845 (33.27)
W	592 (23.31)	592 (23.31)	592 (23.31)
P	464 (18.27)	464 (18.27)	464 (18.27)

WORKING PRESSURE VS. TEMPERATURE

