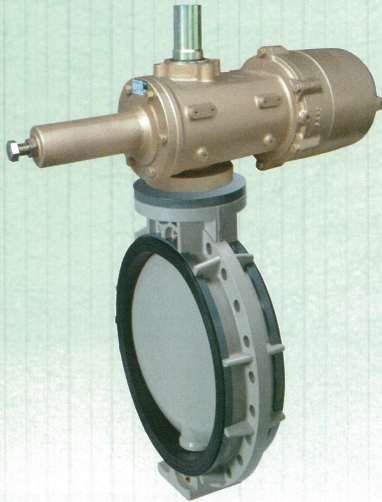


Butterfly Valve Type 75 (Pneumatic Actuated Type TW) 450mm - 600mm(18inch - 24inch)

- Body Material**
PP
PVDF
- Seat & O-ring Material**
EPDM
FKM
Others
- Connection Standard**
JIS 10K
ANSI CLASS150
DIN PN10
- Action**
Double Acting
- Equipment**
· Opening Adjustment Stopper (± 5 degree)
· Indicator
- Option**
· Filter Regulator
· Solenoid Valve
※ with built-in specialized speed controller and bypass valve.
· Limit Switch
· Speed Controller
· Manual Operation Mechanism
※ for air to open & close only.
· Full Opening Adjustment Mechanism
· Positioner



FEATURES

- Horizontal Type Actuator saves Piping Space.
- Stopper enables Adjustment of an Angle of ±5 degree at fully-Opened or Fully-Closed position.

OPTIONAL EQUIPMENT

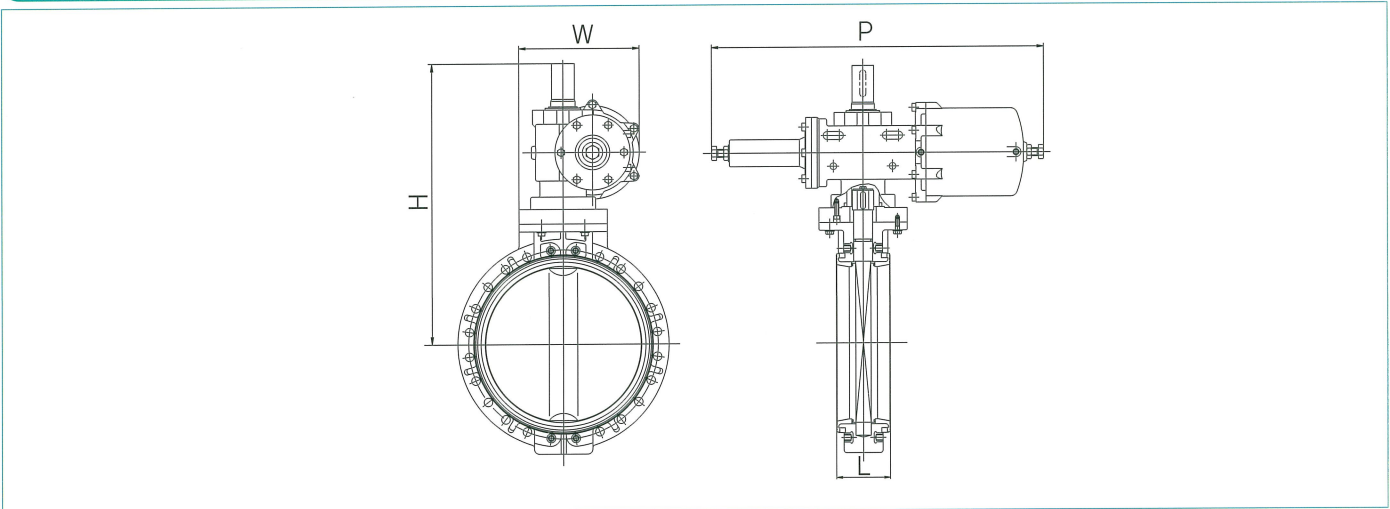
Combination No.	1	2	3	4	5	6	7	8	9
Solenoid Valve ※	○	-	-	○	○	-	○	-	-
Filter Regulator	-	-	-	○	-	-	○	-	○
Speed Controller	◎	○	-	◎	◎	◎	◎	-	-
Limit Switch	-	-	○	-	○	○	○	-	-
Positioner (electric-air, ait-air)	-	-	-	-	-	-	-	○	○

◎Indicates specialized for Solenoid Valve.
※With built-in speed controller and bypass valve.

ACTUATOR SPECIFICATION [Double acting]

Nominal Size mm(inch)	450 - 600(18inch - 24inch)
Actuator Type	TW-250D
Operating Pressure Mpa(kgf/cm ²)	0.4{4.1} - 0.7{7.1}
Air Consumption NI /open & close (at operating pressure 0.4NPa)	99
Air Supply Bore	Rc 3/8

DIMENSIONS FIGURE



DIMENSIONS TABLE

JIS, ANSI, DIN	Unit:mm(inch)		
Nominal Size	450 (18)	500 (20)	600 (24)
L	179 (7.05)	190 (7.48)	209 (8.23)
H	825 (32.48)	855 (33.66)	920 (36.22)
W	384 (15.12)	384 (15.12)	384 (15.12)
P	987 (38.86)	987 (38.86)	987 (38.86)

WORKING PRESSURE VS. TEMPERATURE

