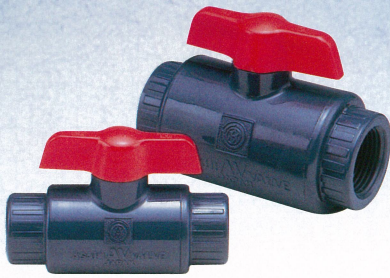


COMPACT BALL VALVE 13mm - 80mm(3/8inch - 3inch)



FEATURES

Features such as compact, light weight and assembly of a reduced number of parts, the COMPACT BALL VALVES can easily be installed in a small space.

NSF Product

NSF("NSF/ANSI STANDARD 61" Drinking Water System Components-Health Effects)Product.

:Compact BALL VALVE (Material:PVC+EPDM)

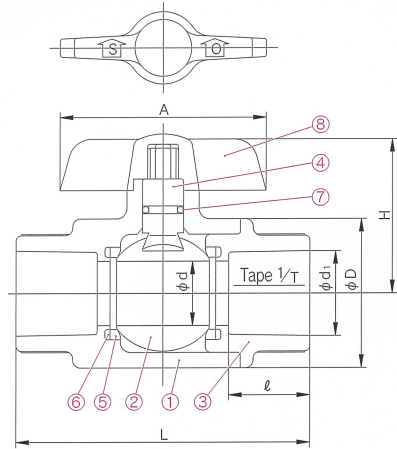
*Certified products bear an NSF Certification Mark.

MATERIAL AND WORKING TEMPERATURE

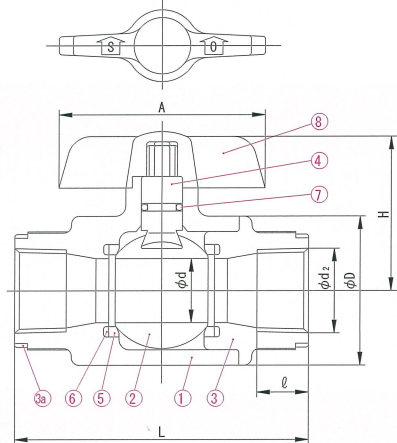
Body material	Working Temperature °C (°F)	Max.Working Pressure(at R.T.) MPa{kgf/cm²}[PSI]	End Connectors	Color
Unplasticized Polyvinyl Chloride(PVC)	0-50(30-120)	1.0{10.2}[150]	Socket End Threaded End	Dark gray
Chlorinated Polyvinyl Chloride(C-PVC)	0-90(30-195)	1.0{10.2}[150]	Socket End Threaded End	Brown or Light gray

Notes : 1. There is a dead space in a ball valve. Volatile liquids, such as a hydrogen peroxide (H₂O₂) and sodium hypochlorite (NaClO) may vaporize in the dead space, thus causing an abnormal pressure increase in the valve. (Important: Gas is compressible. Thus if its pressure rises abnormally, the valve can burst ejecting dangerous fragments.)

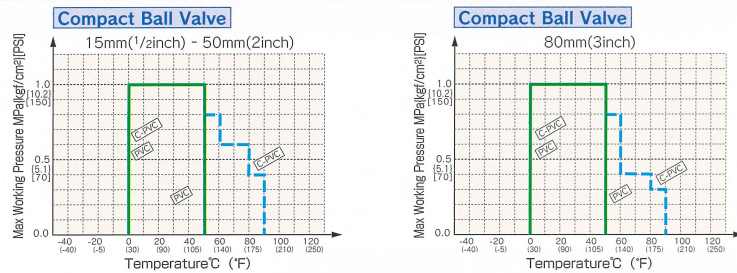
▼ SOCKET END



▼ THREADED END



WORKING PRESSURE VS. TEMPERATURE



DIMENSIONS TABLE

Nominal Size		Socket End		Threaded End			Unit:mm					
mm	inch	d	d ₁	ℓ	1/T	L	JIS B 0203		D	H	A	
						d ₁	ℓ	L				
13	3/8	13	18.20	17	1/30	67	Rc 1/2	15	67	35	42	60
15	1/2	15	22.20	21	1/34	79	-	-	-	39	44	70
20	3/4	20	26.25	28	1/34	102	Rc 3/4	17	102	48	55	80
25	1	25	32.30	31.5	1/34	114	Rc 1	20	114	58	60	80
32	1 1/4	31	38.28	33	1/34	127	Rc 1 1/4	22	127	66	70	95
40	1 1/2	35	48.43	42	1/37	152	Rc 1 1/2	25	152	72.5	76	110
50	2	45	60.50	49	1/37	176	Rc 2	28	176	88.5	85	110
80	3	68.5	89.60	64	1/49	236	Rc 3	35	236	130	124	200

Nominal Size		Socket End		Threaded End			Unit:mm				
mm	inch	d	d ₁	ℓ	L	DIN 2999		D	H	A	
						d ₁	ℓ	L			
13	3/8	13	16	14	85	Rc 3/8	15	85	35	42	60
15	1/2	15	20	16	97	Rc 1/2	15	97	39	44	70
20	3/4	20	25	19	102	Rc 3/4	17	102	48	55	80
25	1	25	32	22	114	Rc 1	20	114	58	60	80
32	1 1/4	31	40	26	127	Rc 1 1/4	22	127	66	70	95
40	1 1/2	35	50	31	152	Rc 1 1/2	25	152	72.5	76	110
50	2	45	63	38	176	Rc 2	28	176	88.5	85	110
80	3	68.5	90	51	236	Rc 3	35	236	130	124	200

Nominal Size		Socket End		Threaded End			Unit:inch					
inch	mm	ASTM SCH40		ANSI/ASME B1.20.1		D	H	A				
		d ₁	d ₂	ℓ	L	d ₁	ℓ	L				
1/2	13	0.51	0.848	0.836	0.69	3.35	1/2 -14NPT	0.59	3.35	1.38	1.65	2.36
3/4	20	0.79	1.058	1.046	0.72	4.02	3/4 -14NPT	0.67	4.02	1.89	2.17	3.15
1	25	0.98	1.325	1.310	0.87	4.49	1 -11 1/2NPT	0.79	4.49	2.28	2.36	3.15
1 1/4	32	1.22	1.670	1.655	0.94	5.00	1 1/4 -11 1/2NPT	0.87	5.00	2.60	2.76	3.74
1 1/2	40	1.38	1.912	1.894	1.09	5.98	1 1/2 -11 1/2NPT	0.98	5.98	2.85	2.99	4.33
2	50	1.77	2.387	2.369	1.16	6.93	2 -11 1/2NPT	1.10	6.93	3.48	3.31	4.33
3	80	2.70	3.516	3.492	1.87	9.29	3-8NPT	1.17	9.29	5.12	4.88	7.87

PARTS & MATERIALS

No.	DESCRIPTION	Pcs.	MATERIAL
①	BODY	1	PVC, C-PVC
②	BALL	1	PVC, C-PVC
③	END CONNECTOR	1	PVC, C-PVC
④	STEM	1	PVC, C-PVC
⑤	SEAT	2	PTFE
⑥	CUSHION	2	EPDM, FKM
⑦	O-RING	1	EPDM, FKM
⑧	HANDLE	1	ABS
⑨	RING※	2	STAINLESS STEEL304

Note : The ring (⑨) is used for C-PVC valves 13mm ~ 25mm in nominal size.