

# Control Valve (Electric actuated Type M) 15mm, 25mm(1/2inch, 3/4inch)

## Body Material

PVC  
PVDF

## Seat & O-ring Material

EPDM  
FKM  
Viflon C(FKM-C)  
Viflon F(FKM-F)

## Connection Standard

JIS10K

## Action

Single-Phase  
AC100V  
AC200V  
DC24V

## Equipment

Indicator  
Opening Output Signal  
E-E Positioner



## FEATURES

- This Valve provides High-Precision Flow Control by applying original unique shaped plug less affected by Fluid Viscosity.
- Application of Electronic Servo-Actuator with High Performance.
- Electronic limiter and Overload Protection Circuit at fully-Opened or Fully-Closed position are built into the valve.

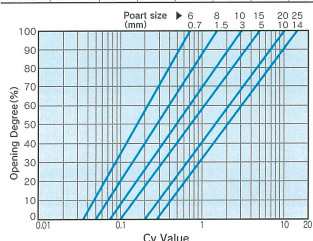
## ACTUATOR SPECIFICATION

Nominal Size mm(inch)	15(1/2inch)	25(2inch)
Actuator Type	MSP-6	
Cycle Time 50/60Hz(seconds)	8	15
Motor Output(W)	3.8	
Motor Rated	AC100V	0.24
	AC200V	0.15
	50/60Hz DC24V	0.36
Protective Structure	Outdoor drop-proof Type	
Cable Connector Nominal Size	G1/2 (Cable accessory)	
Motor Pole(P)	5	
Motor Insulation	E Class	
Motor Time Rating	Continuous	

## General flow control

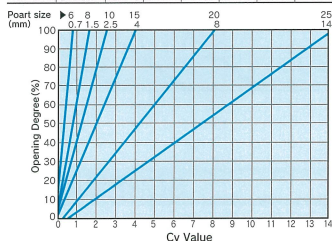
### Equal Percentage

Nominal Size (mm)	25				
	6	8	10	15	20
Poat Size (mm)	6	8	10	15	20
Cv	0.7	1.5	3	5	10
Range Ability	20:1	30:1	40:1	50:1	50:1
Stroke (mm)	15mm	17	16	17	18
	25mm	16.5	16	16	22



### Linear

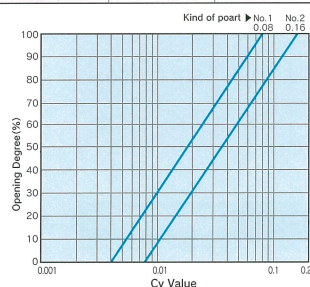
Nominal Size (mm)	25				
	6	8	10	15	20
Poat Size (mm)	6	8	10	15	20
Cv	0.7	1.5	2.5	4	8
Range Ability	20:1	25:1	30:1	40:1	50:1
Stroke (mm)	15mm	16	16	15	16
	25mm	16	16	14	15



## Precise flow control

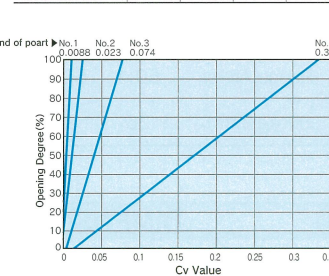
### Equal Percentage

Nominal Size (mm)	15	
	No.1	No.2
Kind of Poat	0.08	0.16
Cv	0.06	0.16
Range Ability	20:1	20:1
Stroke(mm)	16	16

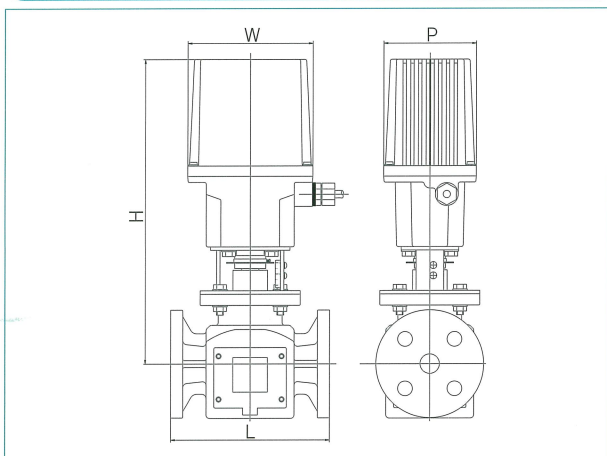


### Linear

Nominal Size (mm)	15			
	No.1	No.2	No.3	No.4
Kind of Poat	0.0088	0.023	0.074	0.33
Cv	0.0088	0.023	0.074	0.33
Range Ability	15:1	15:1	15:1	20:1
Stroke(mm)	16	16	16	16

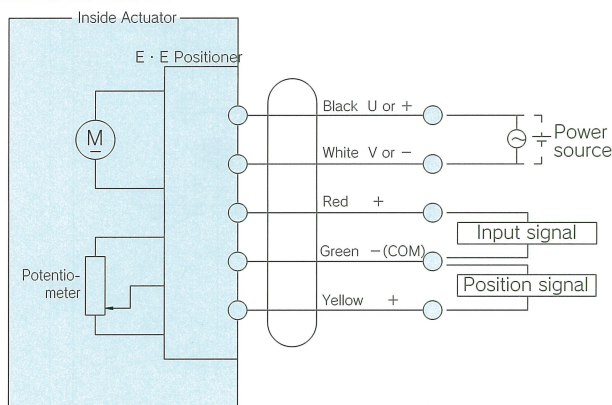


## DIMENSIONS FIGURE



## SCHEMATIC DIAGRAM

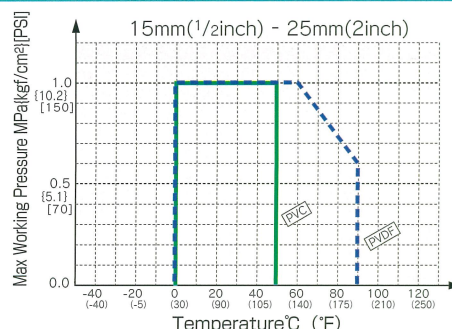
### WIRING DIAGRAM



## DIMENSIONS TABLE

JIS, ANSI, DIN		Unit:mm(inch)	
Nominal Size		15 (1/2)	25 (3/4)
L		160 (6.30)	184 (7.24)
H	PVC	335 (13.19)	354 (13.94)
	PVDF	372.5 (14.67)	366 (14.41)
W		145 (5.71)	145 (5.71)
P		110 (4.33)	110 (4.33)

## WORKING PRESSURE VS. TEMPERATURE



# Control Valve (Electric actuated Type M) 50mm - 100mm(2inch - 4inch)

### Body Material

PVC

### Seat & O-ring Material

EPDM  
FKM  
Viflon C(FKM-C)  
Viflon F(FKM-F)

### Connection Standard

JIS10K

### Action

Single-Phase  
AC100V  
AC200V  
DC24V

### Equipment

Indicator  
Opening Output Signal  
E-E Positioner

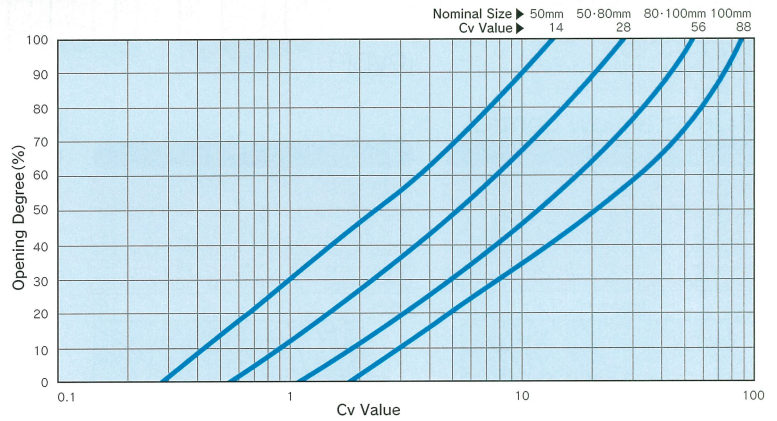


## FEATURES

- This valve provides High-Precision flow control by applying original unique shaped plug less affected by fluid viscosity.
- Application of electronic Servo-Actuator with high performance.
- Electronic limiter and Overload Protection circuit at fully-Opened or Fully-Closed position are built into the valve.

## ACTUATOR SPECIFICATION

Nominal Size mm(inch)	50 (2inch)	80 (3inch)	100 (4inch)
Actuator Type	PSN1		PSN3
Cycle Time 50/60Hz(seconds)	5	15	28 - 32
Protective Structure	IP55		
Cable Connector Nominal Size	3.0		
Motor Pole(P)	67	72	77
Motor Insulation	G1/2×2		
Motor Time Rating	E Class		

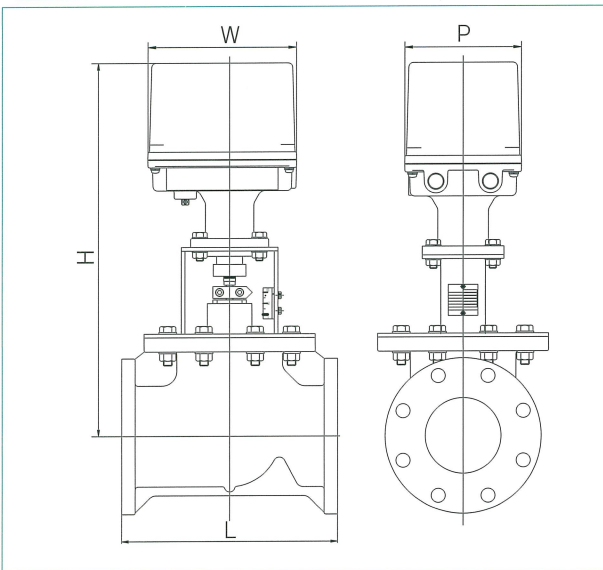


## Cv Value

### Equal Percentage

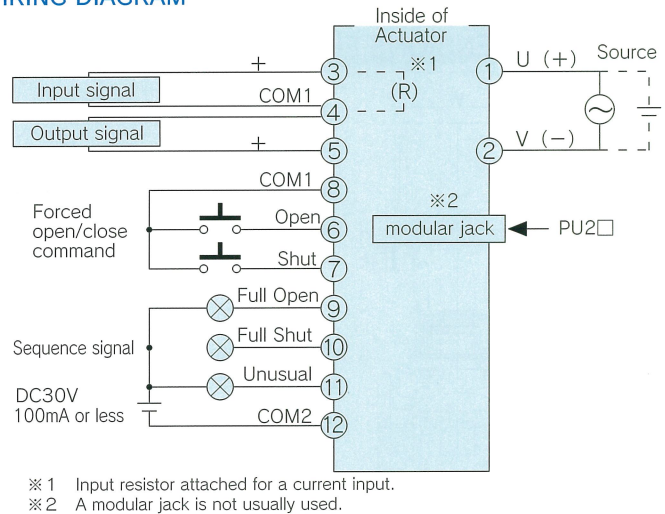
Nominal Size mm(inch)	50(2")		80(3")		100(4")	
Kind of Poat	S	L	S	L	S	L
Cv	14	28	28	56	56	88
Range Ability	50:1	50:1	50:1	50:1	50:1	50:1
Stroke (mm)	26	28	30	28	32	28

## DIMENSIONS FIGURE



## SCHEMATIC DIAGRAM

### WIRING DIAGRAM



## DIMENSIONS TABLE

JIS, ANSI, DIN	Unit:mm(inch)		
Nominal Size	50 (2)	80 (3)	100 (4)
L	200 (7.87)	240 (9.45)	290 (11.42)
H	433.5 (17.07)	450.5 (17.74)	503.5 (19.82)
W	182 (7.17)	182 (7.17)	200 (7.87)
P	140 (5.51)	140 (5.51)	150 (5.91)

## WORKING PRESSURE VS. TEMPERATURE

