

Diaphragm Valve Type 14 (Electric Actuated Type H) 15mm-100mm (1/2inch-4inch)

Body Material

PVC
C-PVC
PP
PVDF

Diaphragm Material

PTFE
EPDM
FKM
Viflon C (FKM-C)
Viflon F (FKM-F)

Connection Standard

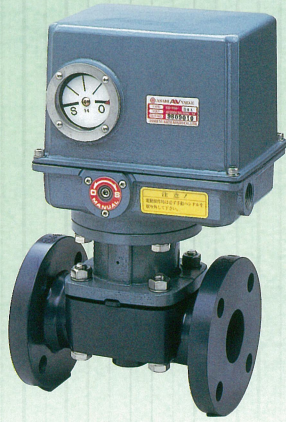
JIS 10K
ANSI CLASS150
DIN PN10

Power Source

Single-Phase
AC100V/200V

Equipment

Manual Operation Mechanism
(Handle is sold separately.)
Space Heater
Output Contact Limit Switches
Indicator



FEATURES

- In addition to the ordinary Open/Close Limit Switches, additional limit Switch is built in for double safety.
- Large Opening Indicator is easy to read.

OPTIONAL EQUIPMENT

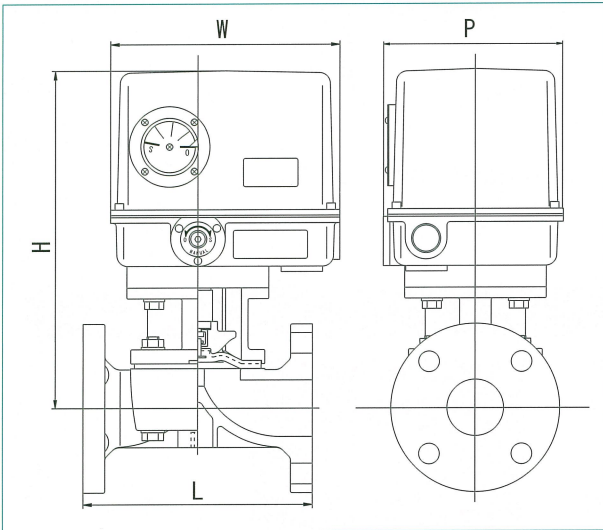
Combination No.	1
Space Heater	●
Output Contact Limit Switches	●

ACTUATOR SPECIFICATION

Nominal Size mm(inch)	15 (1/2inch)	20 (3/4inch)	25 (1inch)	32 (1 1/4inch)	40 (1 1/2inch)	50 (2inch)	65 (2 1/2inch)	80 (3inch)	100 (4inch)		
Actuator Type	ED-11H						ED-21H				
Cycle Time 50/60Hz(seconds)	20/16		24/20		43/36		51/43		38/32	47/39	56/47
Motor Output(W)	20						60				
Motor Starting	100V		0.69/0.7		2.3/2.2						
Current(A) 50/60Hz	200V		0.3/0.3		1.15/1.1						
Motor Rated	100V		0.5/0.5		1.5/1.8						
Current(A) 50/60Hz	200V		0.25/0.25		0.8/0.8						
Number of revolutions of manual operating handle	21		25		44		50		76	94	112
Limit Switch Capacity	AC 250V 10A										
Protective Structure	JIS C 0920 Waterjet-proof Type										
Cable Connector Nominal Size	2-G 3/4										
Motor Pole(P)	4										
Motor Insulation	E Class										
Motor Time Rating(minute)	30										

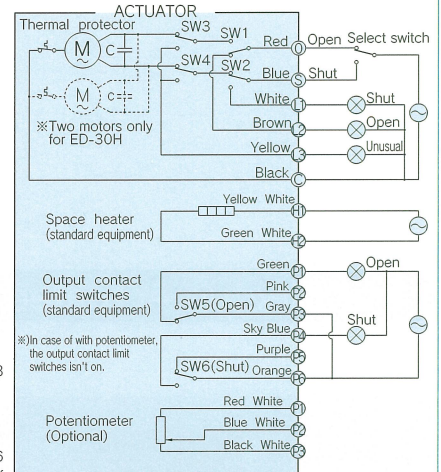
* for the actuator with lubricant free valves with a positioner or a potentiometer consult near Asahi dealer.

DIMENSIONS FIGURE



SCHEMATIC DIAGRAM

WIRING DIAGRAM

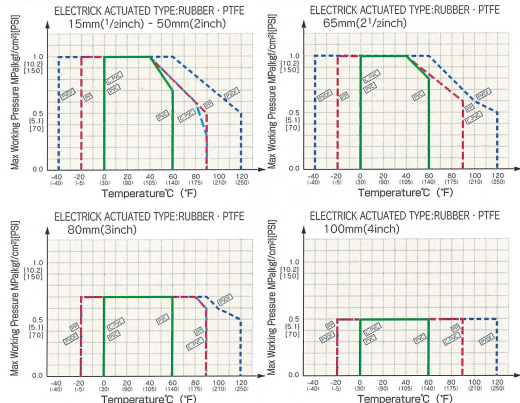


Switching Chart

SW	Shut	Open
SW1	Shut	Open
Open limit	OFF by full open	
SW3	Open Double Safety	Overrun OFF
SW5	Open contact	ON by full open between P1 and P3
Shut limit	OFF by full shut	
SW4	Shut Double Safety	Overrun OFF
SW6	Shut contact	ON by full shut between P4 and P6

NOTE: This circuit diagram shows that the position of the opening action has come to an end.

WORKING PRESSURE VS. TEMPERATURE



DIMENSIONS TABLE

JIS, ANSI, DIN		Unit: mm (inch)									
Nominal Size		15 (1/2)	20 (3/4)	25 (1)	32 (1 1/4)	40 (1 1/2)	50 (2)	65 (2 1/2)	80 (3)	100 (4)	
L	JIS	110 (4.33)	120 (4.72)	130 (5.12)	142 (5.59)	180 (7.09)	210 (8.27)	250 (9.84)	280 (11.02)	340 (13.39)	
	DIN	130 (5.12)	150 (5.91)	160 (6.3)	180 (7.09)	200 (7.87)	230 (9.06)	290 (11.42)	310 (12.2)	350 (13.78)	
	ANSI	A Standard	110 (4.33)	120 (4.72)	130 (5.12)	-	180 (7.09)	210 (8.27)	250 (9.84)	280 (11.02)	340 (13.39)
		G Standard	108 (4.25)	149 (5.88)	149 (5.88)	213 (8.38)	176 (6.94)	202 (7.94)	-	263 (10.37)	328 (12.93)
H		284 (11.18)	286 (11.26)	291 (11.46)	294.5 (11.59)	302.2 (11.90)	311.2 (12.25)	371 (14.61)	388 (15.28)	418 (16.46)	
W		210 (8.27)	210 (8.27)	210 (8.27)	210 (8.27)	210 (8.27)	210 (8.27)	240 (9.45)	240 (9.45)	240 (9.45)	
P		164 (6.46)	164 (6.46)	164 (6.46)	164 (6.46)	164 (6.46)	164 (6.46)	184 (7.24)	184 (7.24)	184 (7.24)	