

# Diaphragm Valve Type 14 (Pneumatic Actuated Type AV) 65mm-100mm (2 1/2 inch-4 inch)

### Body Material

PVC  
C-PVC  
PP  
PVDF

### Diaphragm Material

PTFE  
EPDM  
FKM  
Viflon C (FKM-C)  
Viflon F (FKM-F)

### Connection Standard

JIS 10K  
ANSI CLASS150  
DIN PN10

### Action

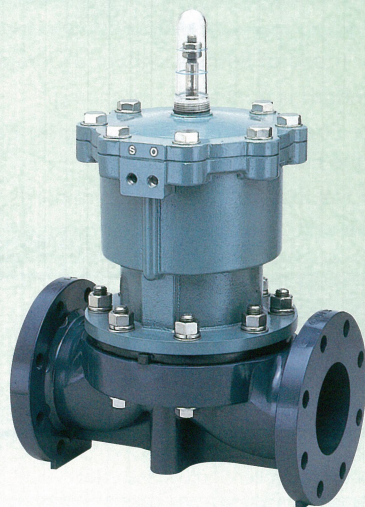
Double Acting  
Air to Open  
Air to Close

### Equipment

Indicator

### Option

- Filter Regulator
- Solenoid Valve
- Limit Switch
- Speed Controller
- Manual Override
- ※ for air to open
- Positioner



### FEATURES

- A Closing Travel Stop mechanism is standard.
- NAMUR Standard is applied for air piping.

### OPTIONAL EQUIPMENT

Combination No.	1	2	3	4	5	6	7	8	9
Solenoid Valve ※	○	—	—	○	○	—	○	—	—
Filter Regulator	—	—	—	○	—	—	○	—	○
Speed Controller	○	○	—	○	○	○	○	—	—
Limit Switch	—	—	○	—	○	○	○	—	—
Positioner (Electric-Air, Air-Air)	—	—	—	—	—	—	—	○	○

### ACTUATOR SPECIFICATION [Double Acting]

Nominal Size mm(inch)	65(2 1/2inch)	80(3inch)	100(4inch)
Actuator Type	—	—	—
Operating Pressure Mpa[kgf/cm <sup>2</sup> ]	0.4{4.1} - 0.6{6.1}		
Air Consumption NI /open & close (at operating pressure 0.4NPa)	10.3	11.9	20.7
Air Supply Bore	Rc 1/4		

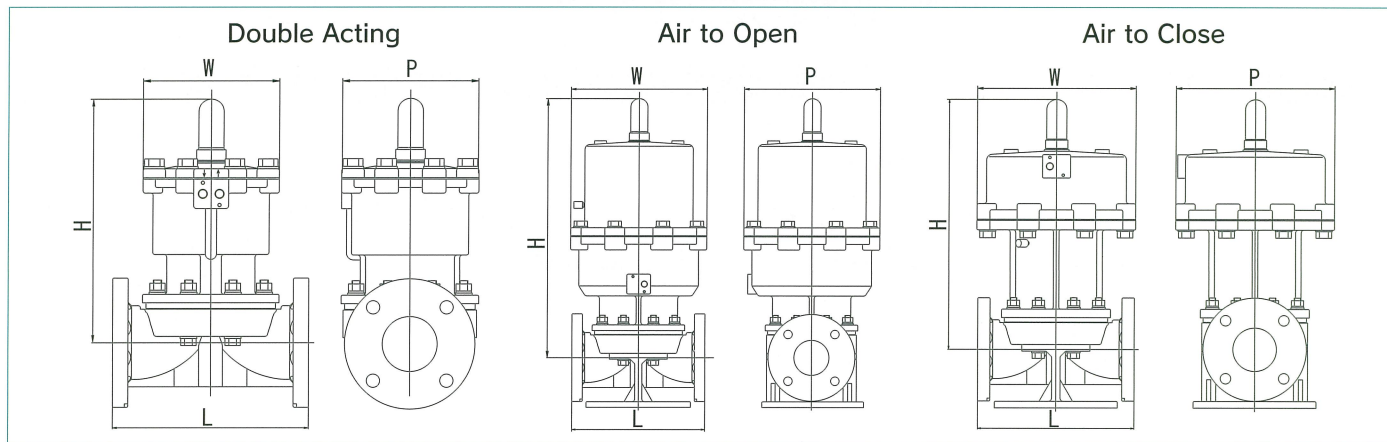
### ACTUATOR SPECIFICATION [Air to Open]

Nominal Size mm(inch)	65(2 1/2inch)	80(3inch)	100(4inch)
Actuator Type	—	—	—
Operating Pressure Mpa[kgf/cm <sup>2</sup> ]	0.4{4.1} - 0.6{6.1}		
Air Consumption NI /open & close (at operating pressure 0.4NPa)	10.6	15.9	34.3
Air Supply Bore	Rc 1/4		

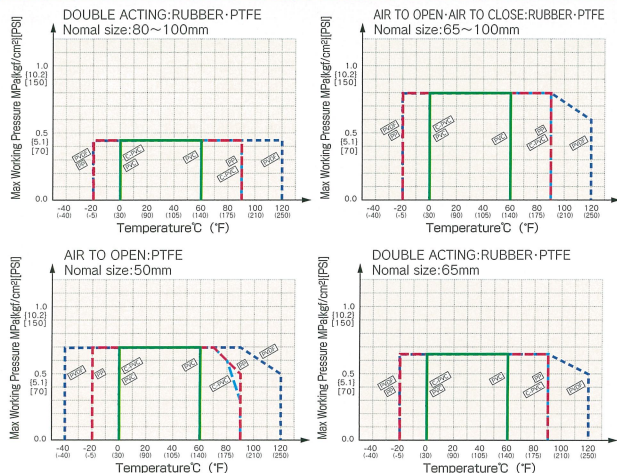
### ACTUATOR SPECIFICATION [Air to Close]

Nominal Size mm(inch)	65(2 1/2inch)	80(3inch)	100(4inch)
Actuator Type	—	—	—
Operating Pressure Mpa[kgf/cm <sup>2</sup> ]	0.4{4.1} - 0.6{6.1}		
Air Consumption NI /open & close (at operating pressure 0.4NPa)	9.4	11.7	26.5
Air Supply Bore	Rc 1/4		

### DIMENSIONS FIGURE



### WORKING PRESSURE VS. TEMPERATURE



### DIMENSIONS TABLE

JIS, ANSI, DIN				Unit:mm(inch)						
Nominal Size		65 (2 1/2)	80 (3)	100 (4)	Nominal Size	65 (2 1/2)	80 (3)	100 (4)		
Common	L	JIS	250 (9.84)	280 (11.02)	Air to Open	H	473 (18.62)	550 (21.65)	601 (23.66)	
		DIN	290 (11.42)	310 (12.2)		W	280 (11.02)	305 (12.01)	385 (15.16)	
		ANSI Standard	250 (9.84)	280 (11.02)		340 (13.39)	P	280 (11.02)	305 (12.01)	385 (15.16)
Double Acting	H	Standard	—	263 (10.37)	Air to Close	H	423 (16.65)	455 (17.91)	509 (20.04)	
		Standard	—	263 (10.37)		328 (12.93)	W	280 (11.02)	305 (12.01)	385 (15.16)
		H	323 (12.72)	354 (13.94)		417 (16.42)	P	280 (11.02)	305 (12.01)	385 (15.16)
Double Acting	W	H	208 (8.19)	208 (8.19)	250 (9.84)	W	280 (11.02)	305 (12.01)	385 (15.16)	
		W	208 (8.19)	208 (8.19)	250 (9.84)	P	280 (11.02)	305 (12.01)	385 (15.16)	
		P	208 (8.19)	208 (8.19)	250 (9.84)					