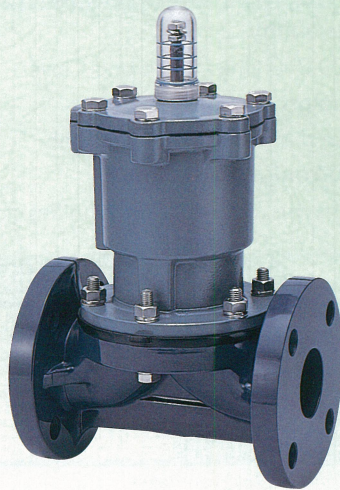


# Diaphragm Valve Type 15,72(Pneumatic Actuated Type AV) Type 15:125mm,150mm(5inch,6inch) Type 72:200mm,250mm(8inch,10inch)

- Body Material**  
PVC  
PP  
PVDF
- Diaphragm Material**  
PTFE  
EPDM  
FKM
- Connection Standard**  
JIS 10K · JIS 5K  
ANSI CLASS150  
DIN PN10
- Action**  
Double Acting  
Air to Open  
Air to Close
- Equipment**  
Opening Indicator  
(Gauge Cover)
- Option**  
· Filter Regulator  
· Solenoid Valve  
· Speed Controller  
· Positioner



## FEATURES

- Stopper provided to adjust to Fully-Closed position.

## OPTIONAL EQUIPMENT

| Combination No.                    | 1 | 2 | 3 | 4 | 5 | 6 | 7 | 8 | 9 | 10 | 11 | 12 | 13 |
|------------------------------------|---|---|---|---|---|---|---|---|---|----|----|----|----|
| Solenoid Valve ※                   | ○ | - | - | ○ | ○ | ○ | - | ○ | ○ | ○  | ○  | -  | -  |
| Filter Regulator                   | - | - | - | ○ | - | - | - | ○ | ○ | -  | ○  | -  | ○  |
| Speed Controller                   | - | ○ | - | - | ○ | - | ○ | ○ | - | ○  | ○  | -  | -  |
| Limit Switch                       | - | - | ○ | - | - | ○ | ○ | - | ○ | ○  | -  | -  | -  |
| Positioner (Electric-Air, Air-Air) | - | - | - | - | - | - | - | - | - | -  | -  | -  | ○  |

## ACTUATOR SPECIFICATION [Double Acting]

| Nominal Size mm(inch)  | 125(5inch)          | 150(6inch) | 200(8inch) | 250(10inch) |
|--|---------------------|------------|------------|-------------|
| Actuator Type  | -                   | -          | -          | -           |
| Operating Pressure Mpa[kgf/cm <sup>2</sup> ]                     | 0.4{4.1} - 0.6{6.1} |            |            |             |
| Air Consumption NI / Open & Close (at operating pressure 0.4NPa) | 36.6                | 67.3       | 87.3       | 214         |
| Air Supply Bore  | Rc 3/8              |            |            |             |

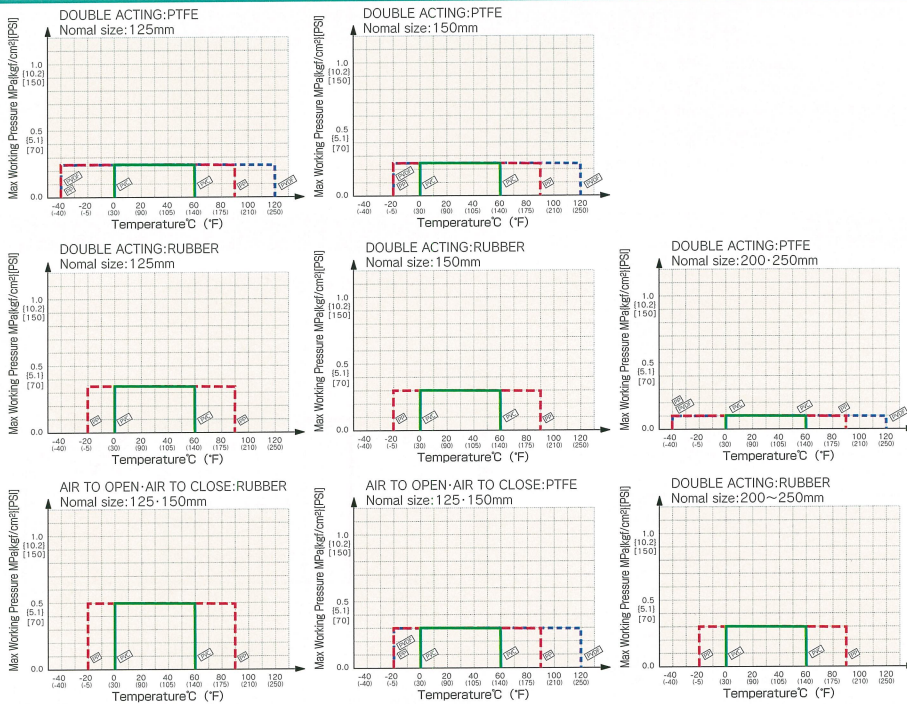
## ACTUATOR SPECIFICATION [Air to Open]

| Nominal Size mm(inch)  | 125(5inch)          | 150(6inch) |
|--|---------------------|------------|
| Actuator Type  | -                   | -          |
| Operating Pressure Mpa[kgf/cm <sup>2</sup> ]                     | 0.4{4.1} - 0.6{6.1} |            |
| Air Consumption NI / Open & Close (at operating pressure 0.4NPa) | 55.6                | 84.2       |
| Air Supply Bore  | Rc 3/8              |            |

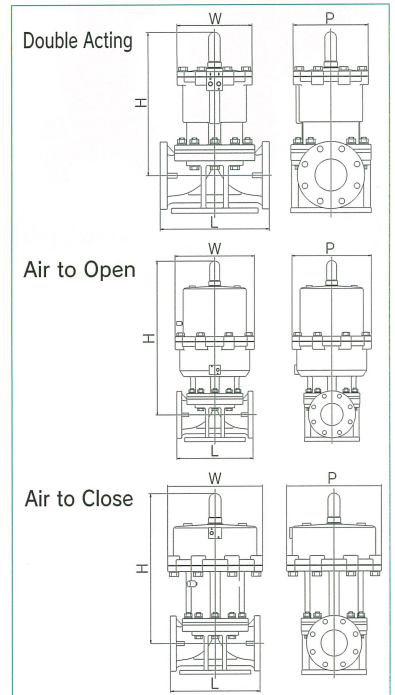
## ACTUATOR SPECIFICATION [Air to Close]

| Nominal Size mm(inch)  | 125(5inch)          | 150(6inch) |
|--|---------------------|------------|
| Actuator Type  | -                   | -          |
| Operating Pressure Mpa[kgf/cm <sup>2</sup> ]                     | 0.4{4.1} - 0.6{6.1} |            |
| Air Consumption NI / Open & Close (at operating pressure 0.4NPa) | 38.4                | 60.5       |
| Air Supply Bore  | Rc 3/8              |            |

## WORKING PRESSURE VS. TEMPERATURE



## DIMENSIONS FIGURE



## DIMENSIONS TABLE

### JIS, ANSI, DIN

Unit:mm(inch)

| Nominal Size  |   | 125 (5)       | 150 (6)       | 200 (8)       | 250 (10)    |             |
|---------------|---|---------------|---------------|---------------|-------------|-------------|
| Common        | L | JIS           | 410 (16.14)   | 480 (18.90)   | 570 (22.44) | 680 (26.77) |
|               |   | DIN           | 400 (15.75)   | 480 (18.90)   | 600 (23.62) | 730 (28.74) |
|               |   | ANSI          | 410 (16.14)   | 480 (18.90)   | 570 (22.44) | 680 (26.77) |
| Double Acting | H | 508 (20.00)   | 566 (22.28)   | 742 (29.21)   | 890 (35.04) |             |
|               | W | 305 (12.01)   | 385 (15.16)   | 387.5 (15.26) | 520 (20.47) |             |
|               | P | 302.5 (11.91) | 387.5 (15.26) | 385 (15.16)   | 520 (20.47) |             |
| Air to Open   | H | 690 (27.17)   | 790 (31.10)   | -             | -           |             |
|               | W | 455 (17.91)   | 520 (20.47)   | -             | -           |             |
|               | P | 455 (17.91)   | 520 (20.47)   | -             | -           |             |
| Air to Close  | H | 653 (25.71)   | 722 (28.43)   | -             | -           |             |
|               | W | 455 (17.91)   | 520 (20.47)   | -             | -           |             |
|               | P | 455 (17.91)   | 520 (20.47)   | -             | -           |             |