

LAB COCK

FEATURES

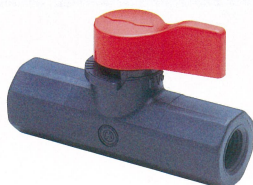
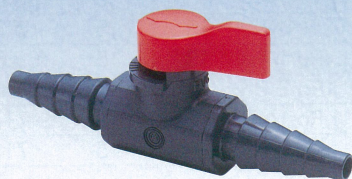
The LAB COCK is a compact, light weight plastic valve which is highly corrosion-resistant, in durable.

NSF Product

NSF("NSF/ANSI STANDARD 61" Drinking Water System Components-Health Effects)Product.

:LAB COCK(Material:PVC+EPDM)

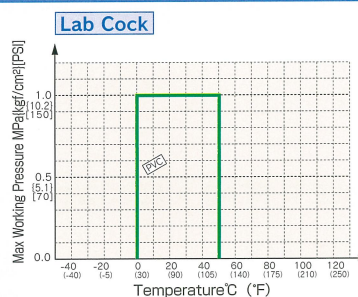
*Certified products bear an NSF Certification Mark.



MATERIAL AND WORKING TEMPERATURE

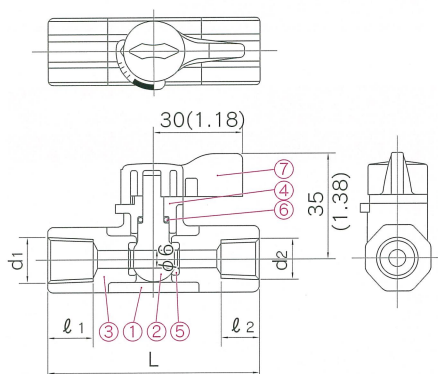
Body material	Unplasticized Polyvinyl Chloride(PVC)
Working Temperature	0°C - 50°C (30° F - 120° F)
Max.Working Pressure	1.0MPa{10.2kgf/cm ² }[150PSI]
End Connectors	Hose, Male thread, Female thread
Nominal Size	●Hose: 12 to 15mm(standard hose inner diameter) ●Male thread: 1/4, 1/2 ●Female thread: 1/4, 3/8

WORKING PRESSURE VS. TEMPERATURE

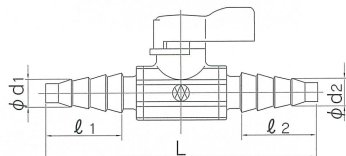


DIMENSION

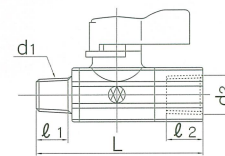
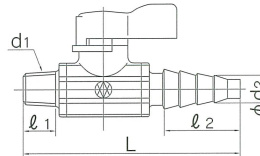
FEMALE THREAD × FEMALE THREAD



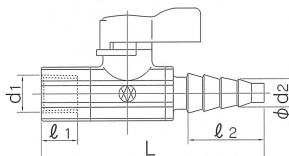
HOSE × HOSE



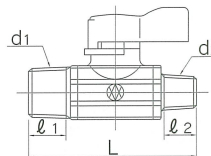
MALE THREAD × HOSE



FEMALE THREAD × HOSE



MALE THREAD × MALE THREAD



PARTS & MATERIALS

No.	DESCRIPTION	Pcs.	MATERIAL
①	BODY	1	PVC
②	BALL & STEM	1	PVC
③	END CONNECTOR	2	PVC
④	GLAND	1	PVC
⑤	SEAT	2	EPDM, PTFE, others
⑥	O-RING	1	EPDM, others
⑦	HANDLE	1	ABS

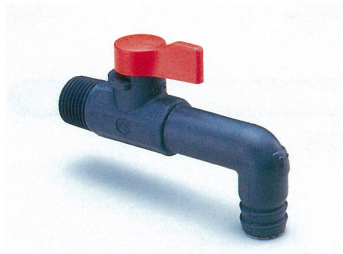
DIMENSIONS TABLE

JIS											Unit:mm
	d ₁	d ₂	l ₁	l ₂	L		d ₁	d ₂	l ₁	l ₂	L
FEMALE THREAD × FEMALE THREAD	Rc 1/4	Rc 1/4	15	15	71	MALE THREAD × HOSE	R 1/4	10	13	30.5	88.5
	Rc 3/8	Rc 1/4	15	15	71		R 1/2	10	15	30.5	91
	Rc 3/8	Rc 3/8	15	15	71		R 1/4	R 1/4	13	13	66
HOSE × HOSE	10	10	30.5	30.5	111	MALE THREAD × MALE THREAD	R 1/2	R 1/4	15	13	68.5
FEMALE THREAD × HOSE	Rc 1/4	10	15	30.5	91		R 1/2	R 1/2	15	15	71
	Rc 3/8	10	15	30.5	91	MALE THREAD × FEMALE THREAD	R 1/4	Rc 1/4	13	15	68.5
							R 1/4	Rc 3/8	13	15	68.5
								R 1/2	Rc 1/4	15	15
							R 1/2	Rc 3/8	15	15	71

DIN							Unit:mm						
		d ₁	d ₂	ℓ ₁	ℓ ₂	L			d ₁	d ₂	ℓ ₁	ℓ ₂	L
①	FEMALE THREAD × FEMALE THREAD	Rp 1/4	Rp 1/4	15	15	71	④	MALE THREAD × HOSE	R 1/4	10	13	30.5	88.5
		Rp 3/8	Rp 1/4	15	15	71			R 1/2	10	15	30.5	91
		Rp 3/8	Rp 3/8	15	15	71			R 1/4	R 1/4	13	13	66
②	HOSE × HOSE	10	10	30.5	30.5	111	⑤	MALE THREAD × MALE THREAD	R 1/2	R 1/4	15	13	68.5
③	FEMALE THREAD × HOSE	Rp 1/4	10	15	30.5	91			R 1/2	R 1/2	15	15	71
		Rp 3/8	10	15	30.5	91			R 1/4	Rp 1/4	13	15	68.5
							⑥	MALE THREAD × FEMALE THREAD	R 1/4	Rp 3/8	13	15	68.5
									R 1/2	Rp 1/4	15	15	71
									R 1/2	Rp 3/8	15	15	71

ANSI							Unit:inch						
		d ₁	d ₂	ℓ ₁	ℓ ₂	L			d ₁	d ₂	ℓ ₁	ℓ ₂	L
①	FEMALE THREAD × FEMALE THREAD	1/4-18NPT	1/4-18NPT	0.51	0.51	2.80	④	MALE THREAD × HOSE	1/4-18NPT	0.39	0.51	1.20	3.48
		3/8-18NPT	1/4-18NPT	0.59	0.51	2.80			1/2-14NPT	0.39	0.59	1.20	3.58
		3/8-18NPT	3/8-18NPT	0.59	0.59	2.80			1/4-18NPT	1/4-18NPT	0.51	0.51	2.60
②	HOSE × HOSE	0.39	0.39	1.20	1.20	4.37	⑤	MALE THREAD × MALE THREAD	1/2-14NPT	1/4-18NPT	0.59	0.51	2.70
③	FEMALE THREAD × HOSE	1/4-18NPT	0.39	0.51	1.20	3.58			1/2-14NPT	1/2-14NPT	0.59	0.59	2.80
		3/8-18NPT	0.39	0.59	1.20	3.58			1/4-18NPT	1/4-18NPT	0.51	0.51	2.70
							⑥	MALE THREAD × FEMALE THREAD	1/4-18NPT	3/8-18NPT	0.51	0.59	2.70
									1/2-14NPT	1/4-18NPT	0.59	0.51	2.80
									1/2-14NPT	3/8-18NPT	0.59	0.59	2.80
							⑦	MALE THREAD × ELBOW	1/2-14NPT	0.63	0.59	1.26	3.66

■ LAB COCK 1/2inch MALE THREAD × ELBOW16mm

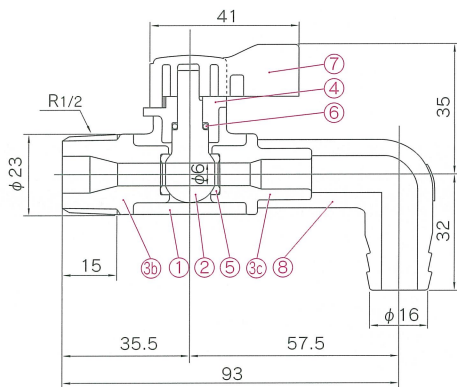


MATERIAL AND WORKING TEMPERATURE

Body material	Unplasticized Polyvinyl Chloride(PVC)
Working Temperature	0°C - 50°C (30° F - 120° F)
Max.Working Pressure	1.0MPa{10.2kgf/cm ² }[150PSI]
End Connectors	R1/2inch Male thread × Elbow16mm

PARTS & MATERIALS

No.	DESCRIPTION	Pcs.	MATERIAL
①	BODY	1	PVC
②	BALL & STEM	1	PVC
③	END CONNECTOR	1	PVC
④	END CONNECTOR	1	PVC
⑤	GLAND	1	PVC
⑥	SEAT	2	PTFE
⑦	O-RING	1	EPDM, Others
⑧	HANDLE	1	ABS
⑨	ELBOW	1	PVC



Panel Mounting

- Diaphragm Valve Type14
- Ball Valve Type21

15mm - 100mm(1/2inch - 4inch)

15mm - 100mm(1/2inch - 4inch)

Procedure

Refer to the User's Manual for Metal Insert (Ensat) by the Maker.

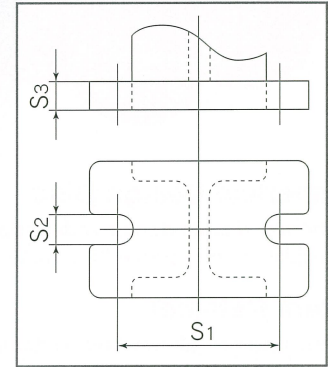
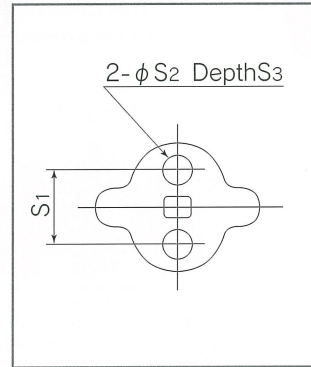
Bottom Stand Dimension

Diaphragm Valve Type14 Unit:mm(inch)

Nominal Size mm (inch)	S1	S2	S3
15mm - 32mm (1/2 - 1 1/4)	25 (0.98)	7 (0.28)	13 (0.51)
40mm, 50mm (1 1/2, 2)	45 (1.8)	9 (0.35)	15 (0.59)
65mm (2 1/2)	85 (3.35)	11 (0.43)	20 (0.79)
80mm (3)	100 (3.94)	15 (0.59)	28 (1.10)
100mm (4)	120 (4.72)	15 (0.59)	28 (1.10)

Diaphragm Valve Type14: 15mm - 100mm
(1/2inch - 4inch)
Ball Valve Type21: 15mm - 50mm
(1/2inch - 2inch)

Ball Valve Type21: 65mm - 100mm
(2 1/2inch - 4inch)

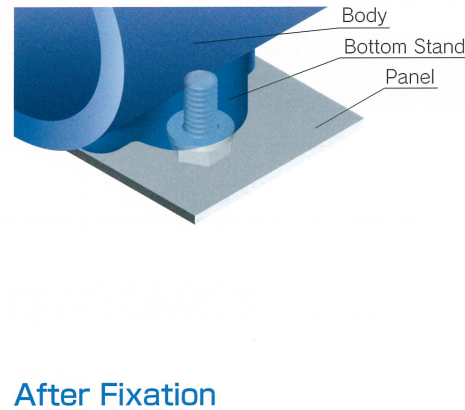
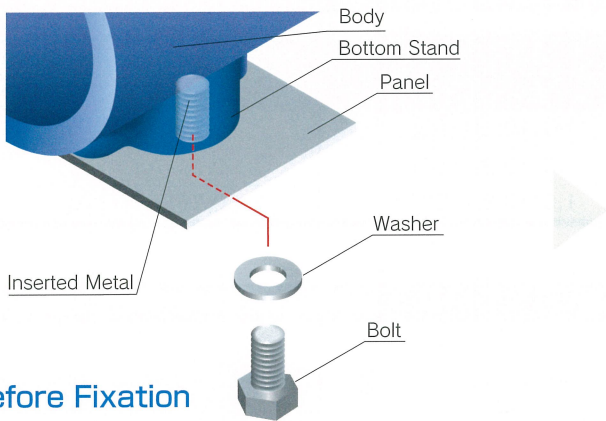


Ball Valve Type21 Unit:mm(inch)

Nominal Size mm (inch)	S1	S2	S3
15mm - 25mm (1/2 - 1)	19 (0.75)	7.3 (0.29)	11 (0.43)
32mm - 50mm (1 1/4 - 2)	30 (1.18)	9 (0.35)	15 (0.59)
65mm (2 1/2)	48 (1.89)	9 (0.35)	6 (0.24)
80mm (3)	55 (2.17)	11 (0.43)	7 (0.28)
100mm (4)	65 (2.56)	11 (0.43)	8 (0.31)

Fixation of Bottom Stand with Panel

Nominal size 15 - 50mm(1/2inch - 2inch)



Nominal size 65 - 100mm(2 1/2inch - 4inch)

