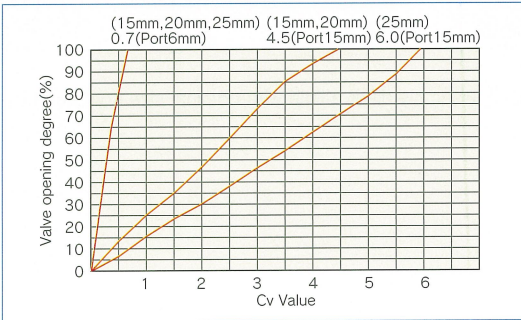


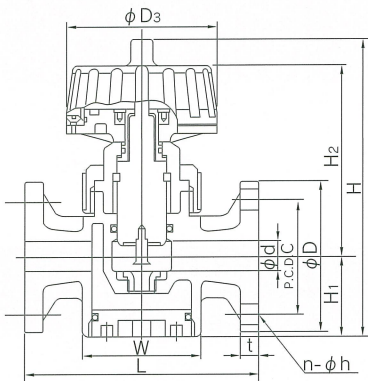
NEEDLE VALVE 15mm - 25mm(1/2inch - 1inch)



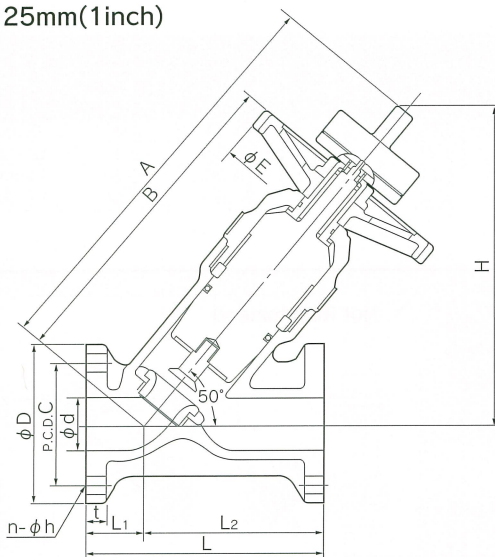
SPECIFICATIONS



● 15mm(1/2inch) ~ 20mm(3/4inch)



● 25mm(1inch)



FEATURES

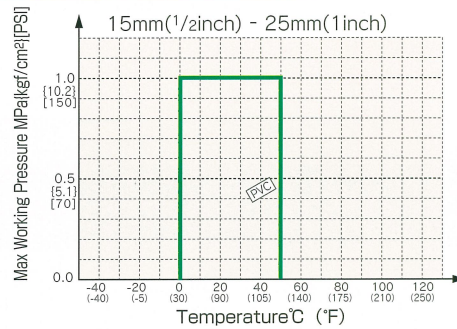
- A shut-off valve and the rubber seat completely seals the fluid.
- Being independent of a shut-off valve, the NEEDLE VALVE exercises highly accurate control for a long time.
- The NEEDLE VALVE uses a unique plug in a special shape, thus offering accurate flow control.
- With its piping intact, the NEEDLE VALVE can be inspected or cleaned inside only by removing its bonnet (valves in 15 and 20mm in nominal size)

SPECIFICATIONS

Nominal Size	15mm(1/2inch), 20mm(3/4inch)		25mm(1inch)	
Port Size(mm)	6	15	6	15
Maximum CV Value	0.7	4.5	0.7	6.0
End Connectors	Flanged End			
Type of Rubber	EPDM, Others			
Body material	PVC			
Max. Working Pressure	1.0MPa{10.2kgf/cm ² }[150PSI]			
Working Temperature	0 - 50°C(30° F - 120° F)			

WORKING PRESSURE VS. TEMPERATURE

NEEDLE VALVE



DIMENSIONS TABLE

JIS		Unit:mm											
Nominal Size		d	JIS 10K				L	t	W	D ₃	H ₁	H ₂	H
mm	inch		D	C	n	h							
15	1/2	16	95	70	4	15	160	12	82×82	103	51	129	197
20	3/4	20	100	75	4	15	160	13	82×82	103	53	127	197

DIN		Unit:mm											
Nominal Size		d	DIN				L	t	W	D ₃	H ₁	H ₂	H
mm	inch		D	C	n	h							
15	1/2	16	95	65	4	14	160	12	82×82	103	51	129	197
20	3/4	20	105	75	4	14	160	13	82×82	103	53	127	197

ANSI		Unit:inch											
Nominal Size		d	ANSI 150 lbs				L	t	W	D ₃	H ₁	H ₂	H
inch	mm		D	C	n	h							
1/2	15	0.63	3.50	2.38	4	0.63	6.30	0.47	3.23×3.23	4.06	2.01	5.08	7.76
3/4	20	0.79	3.86	2.76	4	0.63	6.30	0.51	3.23×3.23	4.06	2.09	5.00	7.76

DIMENSIONS TABLE

JIS		Unit:mm												
Nominal Size		d	JIS 10K				L ₁	L ₂	L	t	A	B	H	E
mm	inch		D	C	n	h								
25	1	25	125	90	4	19	40	120	160	14	272	201	218	150

DIN		Unit:mm												
Nominal Size		d	DIN				L ₁	L ₂	L	t	A	B	H	E
mm	inch		D	C	n	h								
25	1	25	115	85	4	14	40	120	160	14	272	201	218	150

ANSI		Unit:inch												
Nominal Size		d	ANSI 150 lbs				L ₁	L ₂	L	t	A	B	H	E
inch	mm		D	C	n	h								
1	25	0.98	4.25	3.13	4	0.63	1.57	4.72	6.30	0.55	10.71	7.91	8.58	5.91