

Rotary Damper (Electric Actuated Type S) 40mm - 600mm(1 1/2inch - 24inch)

Body Material

PVC
PP
PVDF

Seat & O-ring Material

EPDM
FKM

Connection Standard

JIS 10K · JIS 5K
ANSI CLASS150
DIN PN10

Power Source

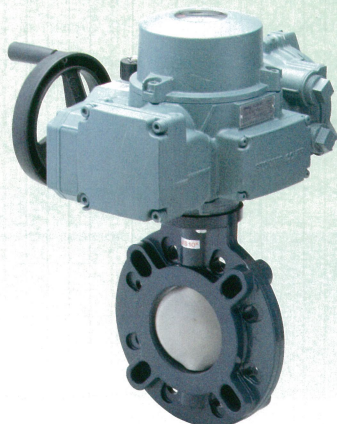
Three-Phase
AC200V/220V/400V/440V

Equipment

Manual Operation Mechanism
(Handle is sold separately.)
Torque Switches
Output Contact
Limit Switches
Space Heater
Indicator

Option

Potentiometer
R/I Transmitter
E-E Positioner



FEATURES

- Speedy, exact operation by Motor with Direct Current Brake.
- Standard Torque Switch protects Valves from overload.
- Stopper enables Adjustment of an angle of ±5degree when fully-opened or fully-closed.

OPTIONAL EQUIPMENT

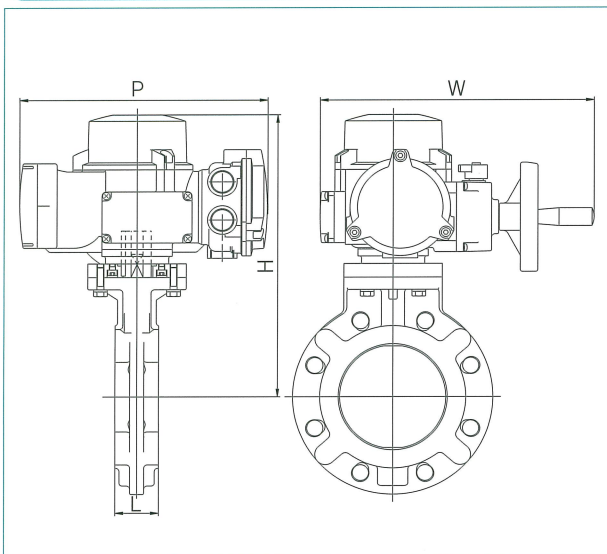
Combination No.	1	2	3
Space Heater	●	●	●
Output Contact Limit Switches	●	●	●
Potentiometer	○	○	○
R-I Transmitter	—	○	○
E-E Positioner	—	—	○

●Standard Equipment

ACTUATOR SPECIFICATION

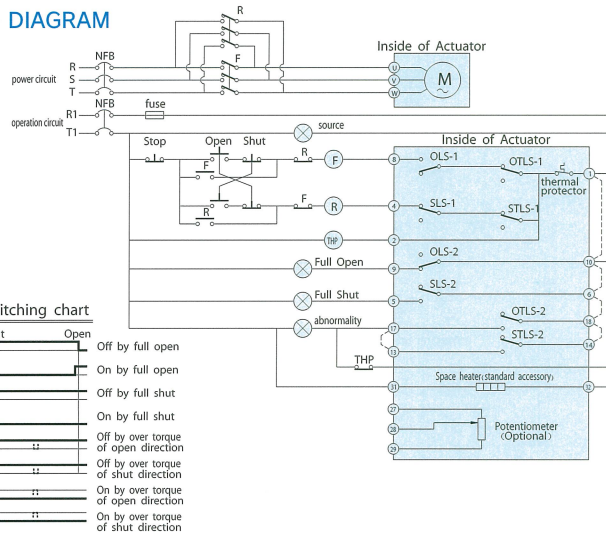
Nominal Size mm(inch)	40-150(1 1/2inch-6inch)	200-350(8inch-14inch)	400(16inch)	450-600(18inch-24inch)
Valve Type	Type 57		Type 56	Type 75
Actuator Type	SRJ-010	SRJ-020	SRJ-060	
Cycle Time 50/60Hz(seconds)	18/15	36/30	36/30	
Motor Output(W)	40		100	
Motor Starting	200V	1.27/1.19	1.89/1.77	
Current(A) 50/60Hz	400V	0.63/0.58	0.94/0.90	
Motor Rated	200V	0.53/0.45	0.74/0.67	
Current(A) 50/60Hz	400V	0.26/0.22	0.37/0.34	
Number of revolutions of manual operating handle	21		26	
Limit Switch Capacity	AC 250V 2A			
Protective Structure	IP68			
Cable Connector Nominal Size	3-G1			
Motor Pole(P)	4			
Motor Insulation	B Class			
Motor Time Rating(minute)	15			

DIMENSIONS FIGURE



SCHEMATIC DIAGRAM

WIRING DIAGRAM



DIMENSIONS TABLE

JIS, ANSI, DIN		Unit:mm(inch)														
Nominal Size		40 (1 1/2)	50 (2)	65 (2 1/2)	80(75) (3)	100 (4)	125 (5)	150 (6)	200 (8)	250 (10)	300 (12)	350 (14)	400 (16)	450 (18)	500 (20)	600 (24)
L		32 (1.26)	35 (1.38)	37 (1.46)	37 (1.46)	47 (1.85)	57 (2.24)	62 (2.44)	76 (2.99)	96 (3.78)	116 (4.57)	116 (4.57)	157 (6.18)	167 (6.58)	177 (6.97)	197 (7.76)
H	U-PVC, PP	313 (12.32)	323 (12.72)	333 (13.11)	348 (13.70)	363 (14.29)	398 (15.67)	413 (16.26)	444 (17.48)	486 (19.14)	543 (21.38)	570 (22.44)	612 (24.10)	623 (24.53)	653 (25.71)	717 (28.23)
	PVDF	333 (13.11)	343 (13.51)	353 (13.90)	368 (14.49)	383 (15.08)	418 (16.46)	433 (17.05)	464 (18.27)	506 (19.92)	563 (22.17)	590 (23.23)	632 (24.89)	648 (25.52)	678 (26.70)	742 (29.22)
W		390 (15.36)	390 (15.36)	390 (15.36)	390 (15.36)	390 (15.36)	390 (15.36)	390 (15.36)	390 (15.36)	390 (15.36)	390 (15.36)	390 (15.36)	460 (18.11)	460 (18.11)	460 (18.11)	460 (18.11)
P		353 (13.90)	353 (13.90)	353 (13.90)	353 (13.90)	353 (13.90)	353 (13.90)	353 (13.90)	353 (13.90)	353 (13.90)	353 (13.90)	353 (13.90)	393 (15.47)	393 (15.47)	393 (15.47)	393 (15.47)

WORKING PRESSURE VS. TEMPERATURE

