

True Union Diaphragm Valve Type14 (Electric Actuated Type H) 15mm-50mm(1/2inch-2inch)

Body Material

PVC
C-PVC
PP
PVDF

Diaphragm Material

PTFE
EPDM
FKM
Viflon C (FKM-C)
Viflon F (FKM-F)

Connection Standard

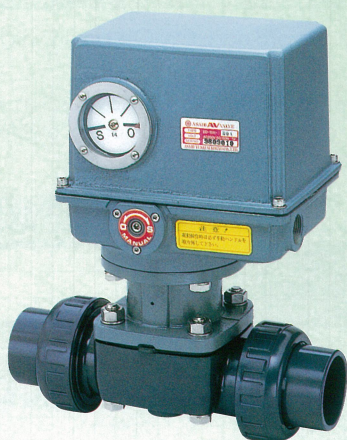
Socket End JIS
Socket End ASTM SCH80
Socket End DIN
Threaded End Rc
Threaded End NPT
Threaded End Rp

Power Source

Single-Phase
AC100V/200V

Equipment

Manual Operation Mechanism
(Handle is sold separately.)
Space Heater
Output Contact Limit Switches
Indicator



FEATURES

- In addition to the ordinary On-Off Limit Switch, additional Limit Switch is built in for safety.
- Manual Operating Handle is provided as a Standard Equipment. The Handle cannot be turned during electric operation due to the planetary Gear Mechanism.

OPTIONAL EQUIPMENT

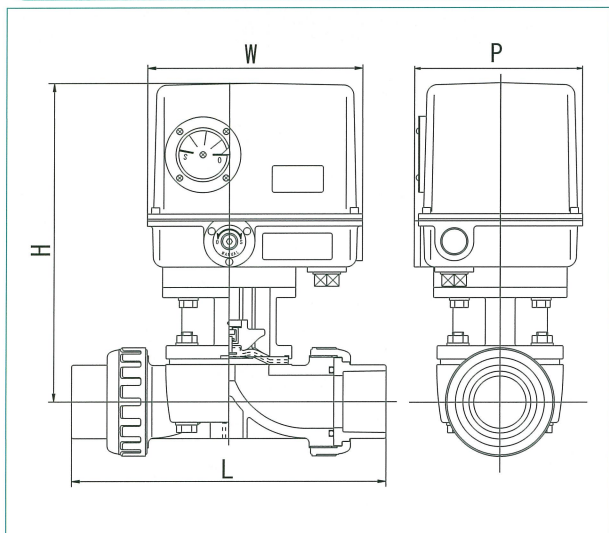
Combination No.	1
Space Heater	●
Output Contact Limit Switches	●

ACTUATOR SPECIFICATION

Nominal Size mm(inch)	15 (1/2inch)	20 (3/4inch)	25 (1inch)	32 (1 1/4inch)	40 (1 1/2inch)	50 (2inch)
Actuator Type	ED-11H					
Cycle Time 50/60Hz(seconds)	20/16		24/20		43/36	
Motor Output(W)	20					
Motor Starting	100V		0.69/0.7			
Current(A) 50/60Hz	200V		0.3/0.3			
Motor Rated	100V		0.5/0.5			
Current(A) 50/60Hz	200V		0.25/0.25			
Number of revolutions of manual operating handle	21		25		44	
Limit Switch Capacity	AC 250V 10A					
Protective Structure	JIS C 0920 Waterjet-proof Type					
Cable Connector Nominal Size	2-G 3/4					
Motor Pole(P)	4					
Motor Insulation	E Class					
Motor Time Rating(minute)	30					

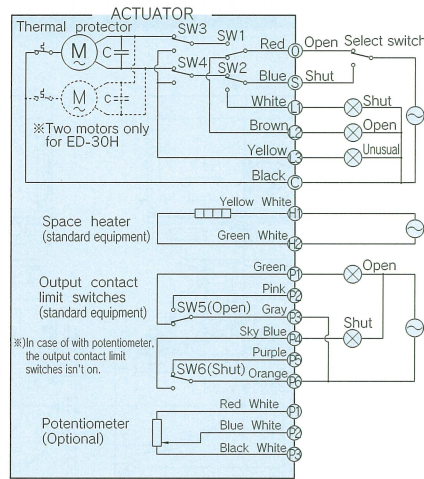
* for the actuator with lubricant free valves with a positioner or a potentiometer consult near Asahi dealer.

DIMENSIONS FIGURE



SCHEMATIC DIAGRAM

WIRING DIAGRAM

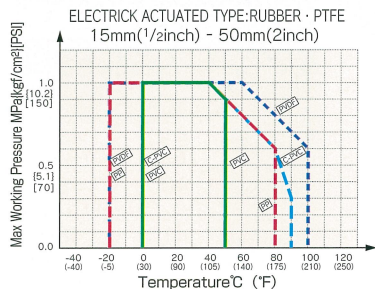


Switching Chart

Switch	Shut	Open	Function
SW1 Open limit	OFF	ON	OFF by full open
SW3 Open Double Safety	OFF	ON	Overrun OFF
SW5 Open contact	OFF	ON	ON by full open between P1 and P3
SW2 Shut limit	OFF	ON	OFF by full shut
SW4 Shut Double Safety	OFF	ON	Overrun OFF
SW6 Shut contact	OFF	ON	ON by full shut between P4 and P6

NOTE: This circuit diagram shows that the position of the opening action has come to an end.

WORKING PRESSURE VS. TEMPERATURE



DIMENSIONS TABLE

JIS, ANSI, DIN

Nominal Size	Unit:mm(inch)										
	15(1/2)	20(3/4)	25(1)	32(1 1/4)	40(1 1/2)	50(2)					
Threaded End	L	PVC, C-PVC	JIS	128	148	172	188	245	281		
			DIN	128	148	172	188	245	281		
			ANSI	128	148	172	188	245	281		
		PP, PVDF	JIS	128	148	172	188	245	278		
			DIN	128	148	172	188	245	278		
			ANSI	128	148	172	188	245	278		
Socket End	Common	PVC, C-PVC	JIS	134	156	186	200	271	303		
			DIN	128	147	172	188	246	294		
			ANSI	139	157	186	202	266	293		
		Socket End	L	PVC, C-PVC	JIS	134	154	182	-	253	275
					DIN	125	141	164	177	231	274
					ANSI	138	155	184	198	261	293
Socket End	P	PVC, C-PVC	JIS	125	141	164	177	231	274		
			DIN	125	141	164	177	231	274		
			ANSI	138	155	184	198	261	293		
Socket End	H	PVC, C-PVC	JIS	284	286	291	295	302.2	311.2		
			DIN	284	286	291	295	302.2	311.2		
			ANSI	284	286	291	295	302.2	311.2		
Socket End	W	PVC, C-PVC	JIS	210	210	210	210	210	210		
			DIN	210	210	210	210	210	210		
			ANSI	210	210	210	210	210	210		
Socket End	P	PVC, C-PVC	JIS	164	164	164	164	164	164		
			DIN	164	164	164	164	164	164		
			ANSI	164	164	164	164	164	164		